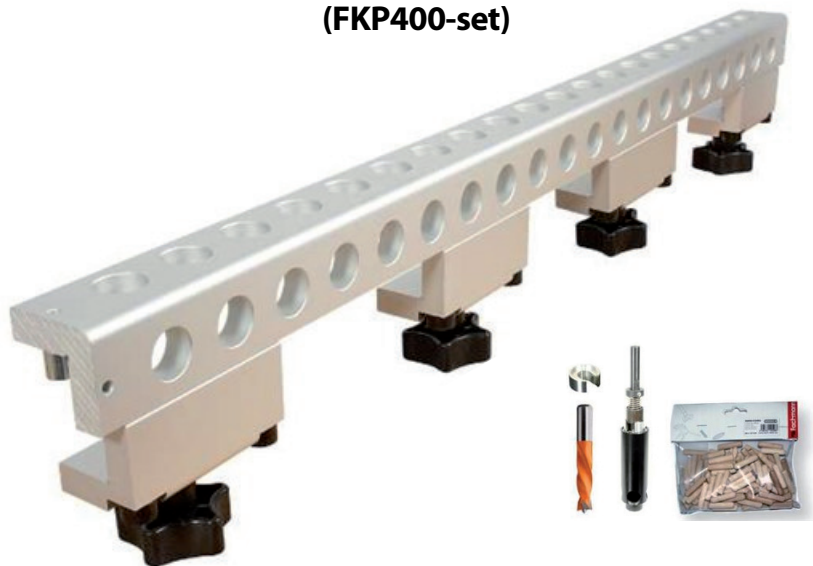


# FKP656-set

(FKP400-set)



**DOWEL JIG FOR ANGULAR DOWEL JOINTS**  
**BOHRLEHRE FÜR ECK-DÜBEL-VERBINDUNGEN**  
**VRTACÍ PŘÍPRAVEK PRO KOLÍKOVÉ SPOJE ROHOVÉ**  
**VRTACÍ PŘÍPRAVOKPRE KOLÍKOVÉ SPOJE ROHOVÉ**  
**FÚRÓKÉSZÍTMÉNY SAROK TIPLIKÖTÉSEKRE**  
**PRZYRZĄD DO NAROŻNIKOWYCH POŁĄCZEŃ**  
**KOŁKOWYCH**

<i>Operationg instructions</i>	<i>EN p. 2 - 8</i>
<i>Gebrauchsanweisung</i>	<i>DE S. 9 - 15</i>
<i>Návod k obsluze</i>	<i>CZ s. 16 - 22</i>
<i>Návod na obshluhu</i>	<i>SK s. 23 - 29</i>
<i>Használati útmutató</i>	<i>HU o. 30 - 36</i>
<i>Instrukcja obsługi</i>	<i>PL s. 37 - 44</i>

CONTENTS	PAGE
Use of FKP400, 656 jig	2
Description of boring bush FKP101, FKP102	3
Angular joint producing	4
Confirmate joints producing	6
Safety at work	7
Spare parts list	8

## USE OF FKP400, 656 JIG

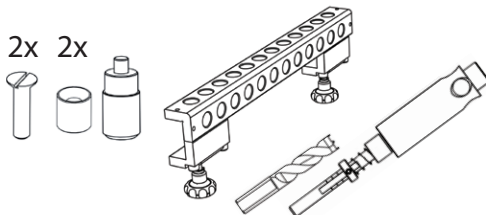
The FKP 400 & FKP 656 jig is designed to produce of furniture elements angular joints with dowels for board thickness 18-45 mm or with confirmate screws of 40-50-60 mm for board thickness of 18-30 mm together with boring bush FKP101 and FKP102 with any cordless or percussion drilling machine. The clever boring bush conception enables the use of one boring bush with a wide range of dowel bits with various boring diameters. The FKP400 and FKP656 jig increases the quality and precision of dowel or confirmate screw joints. The whole system is based on the use of boring jig made from eloxed duralumin and of boring bush in which a dowel bit with HM cutting edge is clamped. Thanks to the simple construction, maximal precision of the boring jig and boring bush you can produce a precise dowel or confirmate screw joint. The production of one angular joint takes about 10 - 20 minutes, depending on the joint size.

### Basic accessories

#### FKP400-set

##### - The boring jig FKP400

- 1 pc Boring jig made of eloxed duralumin with threading for stop tightening on both sides
- 2 pc Steel stops D10x10
- 2 pc Screws M4x16
- 1 pc Centering pin D8
- 2 pc Tightening flanges
- 4 pc Screws M8x45



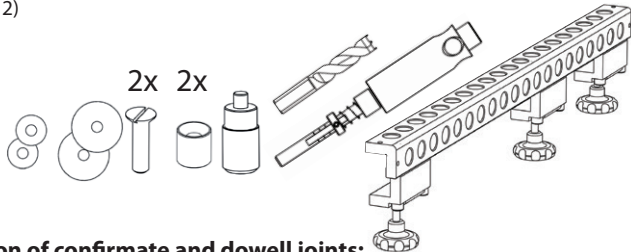
##### - Boring bush FKP101

##### - Dowel bit D8x30 mm C30608011

#### FKP656-set

##### - The boring jig FKP656

- 1 pc Boring jig made of eloxed duralumin with threading for stop tightening on both sides
- 2 pc Steel stops D10x10 (version 2)
- 2 pc Screws M4x16
- 1 pc Centering pin D8
- 3 pc Tightening flanges
- 6 pc Screws M8x45
- 2 pcs washers d6/30 (version 3)
- 2 pcs washers d6/18 (version 3)



##### - Boring bush FKP101

##### - Dowel bit D8x30 mm C30608011

### Accessories required for production of confirmate and dowel joints:

- CORDLESS OR PERCUSSION DRILL
- BORING BUSH FKP 101
- BORING BUSH FKP 102 (holes for confirmate screws with length 40-50-60 mm)
- BORING BITS AND TIGHTENING SHANK S=8 MM

D 8x30 mm dowel bit HM     C30808011     for FKP101 (blind holes)

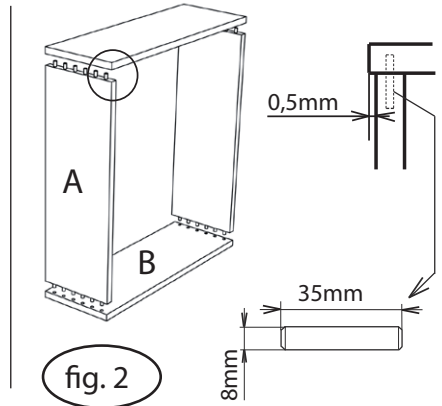
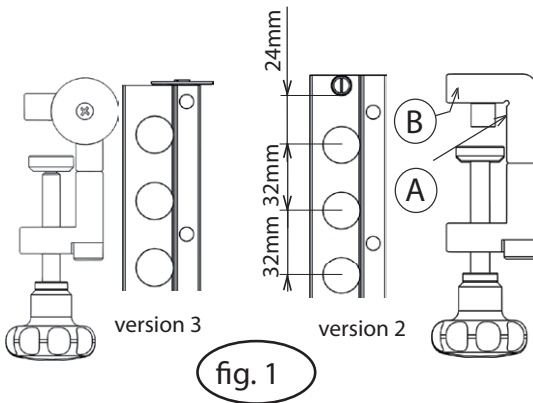
D 5x40 mm dowel bit HM     C30905011     for FKP102 (blind holes)

D 7x30 mm dowel bit HM     C36707011     for FKP101 (through holes for confirmate screws)

**Description of the jig FKP400, FKP656**

The whole jig is composed of a duralumin corps with precise 18 mm diameter and 32 mm spacings holes, of tightening flange with tightening screws and of stops fixed at the jig edges. According to requirements, the stops can be taken off. The stops are conceived so that the first dowel is placed 24 mm from the edge (**fig. 1**). The version 3 contains 2 types of washers, use the one that suits you better.

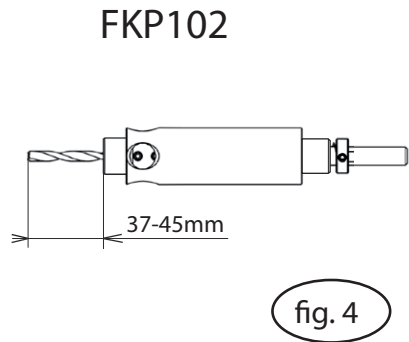
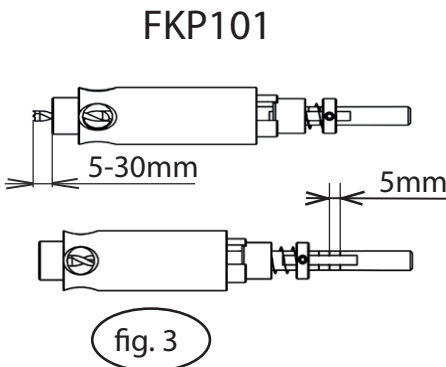
- A... JIG SURFACE - boring holes into the side
- B... JIG SURFACE - boring holes into the surface



The boring jig is composed of two planes equipped with a line of 18 mm diameter holes. The hole lines are shifted to each other to create a lap, so called facet of one workpiece of 0,5 mm (**fig. 2**). Before use, always ensure that the stops are well tightened, that both jig planes are abutting on the workpiece and the stops are touching the workpiece.

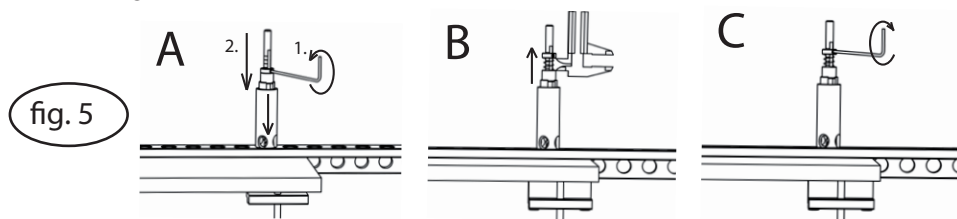
**DESCRIPTION OF BORING BUSH FKP101, FKP102**

The boring bush is composed of a duralumin centering bush and a 9 mm diameter shaft with tightening part for dowel bits. The boring shank is seated in the centering bush bearing to provide maximal boring precision. The tightening part is secured with a spring and a stop ring fixed by a screw. The boring depth is set by the stop ring, for boring depth range see figure (**fig. 3 & 4**). The boring bush FKP101 is for simple boring depth setting equipped with a scale with lines à 5 mm (**fig. 3**).



### Setting of boring depth FKP101, 102

The setting procedure is represented in the figure (fig. 5). For simple boring dowels of 35 mm length, use the FKP101-8 ring (from 1.8.2010 included in the sets). Insert the FKP ring under the spring stop (fig. 3). Tighten the workpiece to the jig. The setting is made on the upper surface of the jig. Put the boring bush into the 18 mm diameter holes so that after pressing onto the shank, the point of the dowel bit touches the workpiece. Loosen the setting stop ring screw (imbus key 2 is included in FKP101-102 packing) and press the stop ring to the jig until the stop ring touches the spring stop (fig. 5A). The zero point for the boring depth setting is thus set. The boring depth for boring into surface, which is now 15 mm, is set between the stop ring and the spring stop. The boring depth set, tighten carefully the screw of the stop ring considering the screw diameter (fig. 5 C). At the boring bush FKP101, this value can be read with the help of lines at the shank, distance of lines is 5 mm (fig. 3). The stop ring is designed so that the side boring depth is 2 mm longer than the total dowel length, which is 35 mm (reserve for the glue).



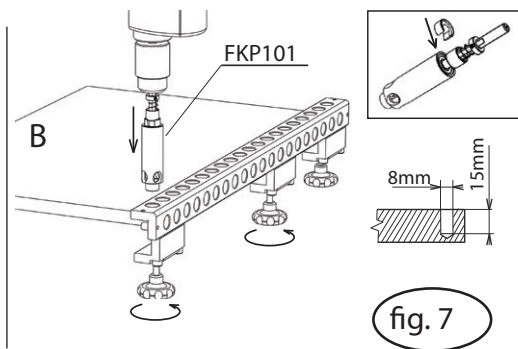
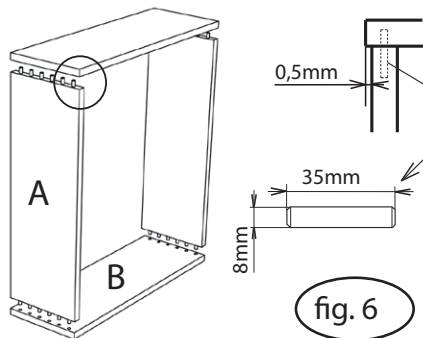
### ANGULAR JOINT PRODUCING

Dividing up of the cupboard elements is represented in the figure (fig. 6).

- Before boring always check whether the inner part of the jig is perfectly touching the workpiece.
- Always adjust the workpiece from the front side on and when boring hole into the side the tightening flanges must be oriented to the reverse of the workpiece, never contrariwise!! Thus you ensure a 0,5mm facet.**
- Check the boring depth before boring.
- If the bored hole isn't clean the dowel bit must be grinded.
- If the hole isn't deep enough, set longer boring depth on the boring bush FKP101.

### Boring holes into the surface

Tighten a metal stop into the hole at the jig edge. Place the FKP on the workpiece so that the edge stop is touching the front side of the workpiece and the surface A of the jig is oriented to the reverse of the workpiece (fig. 7).



**Boring holes into the side**

Tighten a metal stop into the hole at the jig edge. Place the FKP on the workpiece so that the edge stop is touching the front side of the workpiece and the tightening flanges are oriented to the reverse of the workpiece (fig.8).

Ensure that the stop is touching the front side of the board and the inner parts of the jig are abutting on the workpiece. Tighten the **FKP** by the tightening flanges. Tighten the screws by hand with optimal power - for sufficient tightening no excessive power is needed. Remove the stop ring FKP101-8 from the boring bush. Thus you will change the boring depth at 22 mm (fig. 8). Put the boring bush with respective dowel bit into the holes and bore dowel holes (fig. 8). Bore rather deep holes on multiple pass, so that the cuttings can be well evacuated. Keep the correct revolutions direction - dowel bits are delivered in right-handed construction.

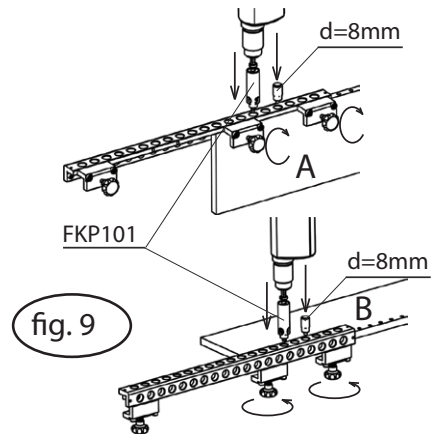
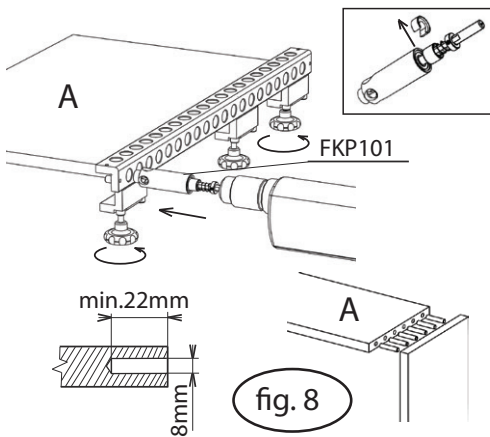
**Producing of longer joint than the jig**

The working procedure is represented in the figure (fig. 9).

The edge stop removed, the boring jig can be shifted along the workpiece side. To hold the last hole and keep the 32 mm spacing, use a **centering pin**. The boring jig is delivered with a centering pin for 8 mm dowel diameter. The procedure is the same as when boring with the edge stop, the jig position on the workpiece is ensured by the **centering pin**.

**Warning !!!**

While boring, press the boring bush to the jig to keep the perpendicularity. You can support the boring bush with the other hand. Always keep the drilling machine perpendicular so that the boring bush is touching **FK** with its entire surface. **It is better to bore holes on multiple pass. Always follow the safety instructions for work with the drilling machine!**



## CONFIRMATE JOINTS PRODUCING

Dividing up of the cupboard elements is represented in the figure (fig. 10).

- Before boring always check whether the inner part of the jig is perfectly touching the workpiece.
- **Always adjust the workpiece from the front side on and when boring hole into the side the tightening flanges must be oriented to the reverse of the workpiece, never contrariwise!! Thus you ensure a 0,5mm facet.**
- Check the boring depth before boring.
- If the bored hole isn't clean the dowel bit must be grinded.
- If the hole isn't deep enough, set longer boring depth on the boring bush FKP101.

### Boring holes into the side

At first, calculate the hole depth you need to bore into the side. To calculate it, subtract the thickness of the material plus 2 mm reserve from the total confirmate screw length (eg.: confirmate screw 60 m - 18 mm lamino - 2 mm reserve = boring depth 40 mm). Use the boring bush **FKP102** with a dowel bit for blind holes with 5 mm diameter and 40 mm cutting length. The boring depth range is 37 -45 mm, for boring depth setting see Dowel joint producing. Tighten a metal stop into the hole at the jig edge. Place the FKP on the workpiece so that the edge stop is touching the front side of the workpiece and the tightening flanges are oriented to the reverse of the workpiece. (fig. 11).

**Don't use the stop ring FKP101-8 to set the boring depth for confirmate screws!**

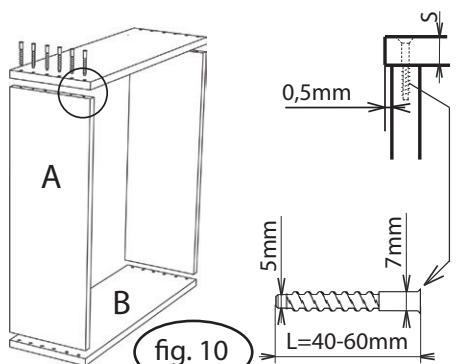


fig. 10

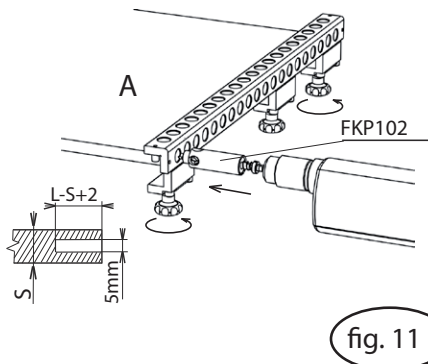


fig. 11

Ensure that the stop is touching the front side of the board and the inner parts of the jig are abutting on the workpiece. Tighten the **FKP** by the tightening flanges. Tighten the screws by hand with optimal power – for sufficient tightening no excessive power is needed. Set the boring depth of the boring bush. Put the boring bush with respective dowel bit into the holes and bore confirmate holes (fig. 11). Bore rather deep holes on multiple pass, so that the cuttings can be well evacuated. Keep the right revolutions direction - dowel bits are delivered in right-handed construction.

### Boring holes into the surface

**Use the boring bush FKP101 with a dowel bit for 7 mm diameter through holes!** Tighten a metal stop into the hole at the jig edge. Place the FKP on the workpiece so that the edge stop is touching the front side of the workpiece and the surface **A** of the jig is oriented to the reverse of the workpiece (fig. 12).

Ensure that the stop is touching the front side of the board and the inner parts of the jig are abutting on the workpiece. Tighten the **FKP** by the tightening flanges. Set the boring depth of the boring bush at maximum possible. Put the boring bush with respective dowel bit into the holes and bore confirmate holes (fig. 12). Bore rather deep holes on multiple pass so that the cuttings can be well evacuated. Keep the right revolutions direction - dowel bits are delivered in right-handed construction. The hole must go though the material.

**Producing of longer joint than the jig**

The working procedure is represented in the figure (fig. 13).

The edge stop removed, the boring jig can be shifted along the workpiece side. To hold the last hole and keep the 32 mm spacing, use centering pins delivered with the basis package of boring bush FKP102. To hold the position when boring into side, use the 5 mm diameter centering pin, when boring into surface, use the 7 mm diameter centering pin. The procedure is the same as when boring with the edge stop, the jig position on the workpiece is ensured by the centering pin.

**The dowel and confirmate joints can be combined within one joint !!!**

While boring, press the boring bush to the jig to keep the perpendicularity. You can support the boring bush with the other hand. Always keep the drilling machine perpendicular so that the boring bush is touching **FK** with its entire surface. **It is better to bore holes one multiple pass. Always follow the safety instructions for work with the drilling machine!**

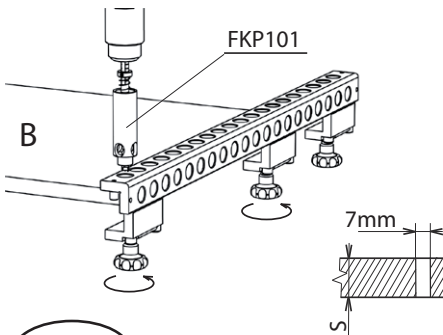


fig. 12

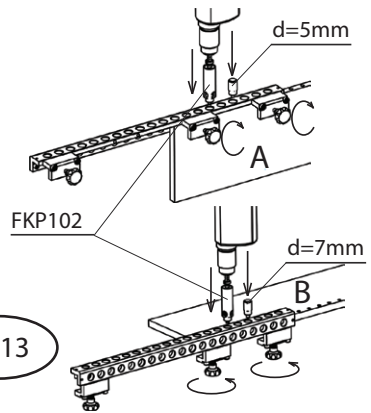


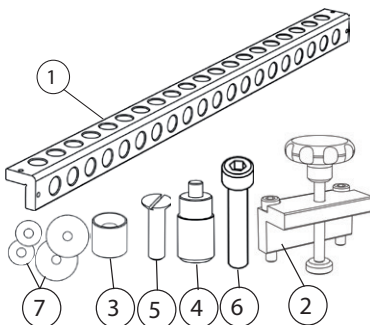
fig. 13

**SAFETY AT WORK**

- Always unplug the drilling machine when exchanging the dowel bit or setting the drilling machine.
- Don't touch the rotating parts when boring.
- Use hearing protectors.
- Always use a dust mask or a respirator.
- Don't wear loose clothing. Ensure that you have tucked your sleeves and that you don't wear any tie.
- Before switching the power tool on, ensure that the dowel bit is well tightened and the stop ring is secured.
- Prevent unwanted switching of the drilling machine: ensure that the switch of the drilling machine isn't locked up in position "on" before plugging-in.
- Wait until the dowel bit is completely stopped before starting any setting of the drilling machine.

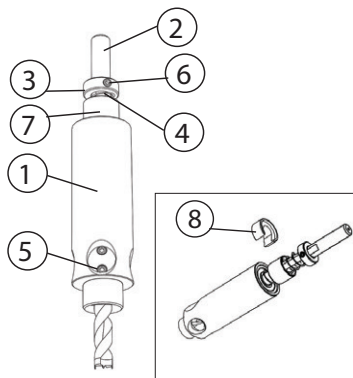
## FKP400-656

Spare parts list v.2 and 3			
Pos.#	Description	Pieces	Code
1	Corps of the boring jig FKP400	1	
	Corps of the boring jig FKP656	1	
2	Tightening flange complete	2-4	FKP200
3	Edge stop D10x10	2	FD3001-03
4	Centering pin D8	1	FKP9-18
5	Screw M4x16	2	FS200-154
6	Screw M8x45	4-6	FS200-155
7	Washer d6/18 and d6/30 FKP656	2; 2	



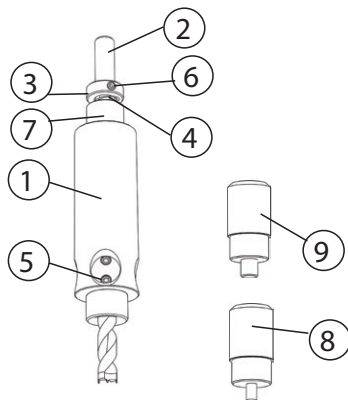
## FKP101

Spare parts list v.2			
Pos.#	Description	Pieces	Code
1	Corps of FKP101 with bearings	1	
2	Shaft of FKP101	1	
3	Stop ring	1	FKP101-3
4	Spring	1	FKP101-5
5	Setting screw M4x4 (grub screw)	2	FS200 153
6	Setting screw M4x5 (grub screw)	1	FS200 115
7	Spring stop FKP101	1	FKP101-7
8	Ring for FKP	1	FKP101-8
9	Imbus key 2 mm	1	FS800 002



## FKP102

Spare parts list v.2			
Pos.#	Description	Pieces	Code
1	Corps of FKP101 with bearings	1	
2	Shaft of FKP101	1	
3	Stop ring	1	FKP101-3
4	Spring	1	FKP101-5
5	Setting screw M4x4 (grub screw)	2	FS200 153
6	Setting screw M4x5 (grub screw)	1	FS200 115
7	Spring stop FKP101	1	FKP101-7
8	Centering pin d5 - black	1	AKP9-15
9	Centering pin d7 - black	1	AKP9-17
10	Imbus key 2 mm	1	FS800 002





INHALT	SEITE
Verwendung von FKP400, 656	9
Beschreibung der Bohrbüchse FKP101, FKP102	10
Herstellung von Eckdübelverbindung	11
Herstellung von Verbindung mit Verbindungsschrauben	13
Sicherheit	14
Ersatzteilliste	15

## VERWENDUNG VON FKP400, 656

Die Bohrlehre FKP 400 und FKP 656 ist für Herstellung von Eckverbindungen der Möbelteile mit Plattenbreite zwischen 18 mm und 45 mm mittels Dübeln oder mit Plattenbreite zwischen 18 und 30 mm oder Verbindungsschrauben mit Länge von 40-50-60 mm gemeinsam mit der Bohrbüchse FKP101 und FKP102 mit beliebiger Hand- oder Akkubohrmaschine bestimmt. Die kluge Ausführung der Bohrbüchse ermöglicht es, eine Bohrbüchse mit einer Reihe von Dübelbohrern mit verschiedenen Bohrdurchmessern zu verwenden. Die Bohrlehre FKP400 und FKP656 erhöht die Qualität und Genauigkeit der Dübelverbindung und der Verbindung mit Verbindungsschrauben. Das ganze Gerät besteht aus einer aus Eloxaluminium hergestellter Schablone und einer Bohrbüchse, in die ein Bohrer mit HM Schneide befestigt wird. Dank einfacher Konstruktion, maximaler Genauigkeit der Bohrlehre und der Bohrbüchse wird eine genaue Dübelverbindung oder Verbindung mit Verbindungsschrauben erzielt. Die Herstellung von einer Eckverbindung dauert ca. 10 – 20 Minuten, je nach der Verbindungsgröße.

## Basiszubehör FKP 400, 656:

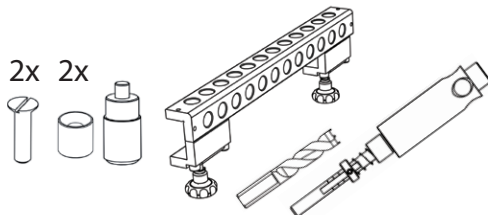
### FKP400-set

#### - Bohrlehre FKP 400

- 1 St Schablone aus Eloxaluminium mit Gewinden für beidseitige Befestigung von Anschlägen
- 2 St Stahlanschläge D10x10
- 2 St Schrauben M4x16
- 1 St Zentrierstift D8
- 2 St Befestigungsfuß
- 4 St Schraube M8x45

#### - Bohrbüchse FKP101

#### - Dübelbohrer D8x30 mm C30608011



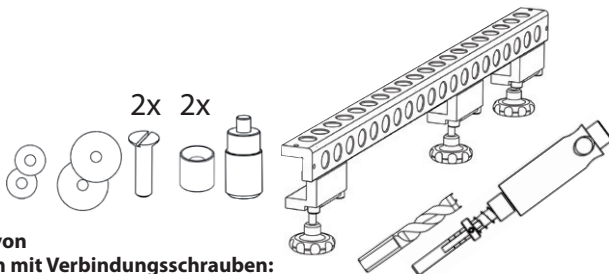
### FKP656-set

#### - Bohrlehre FKP 656

- 1 St Schablone aus Eloxaluminium mit Gewinden für beidseitige Befestigung von Anschlägen
- 2 St Stahlanschläge D10x10 (Version 2)
- 2 St Schrauben M4x16
- 1 St Zentrierstift D8
- 3 St Befestigungsfuß
- 6 St Schrauben M8x45
- 2 St Unterlagen d6/30 (Version 3)
- 2 St Unterlagen d6/18 (Version 3)

#### - Bohrbüchse FKP101

#### - Dübelbohrer D8x30 mm C30608011



## Notwendiges Zubehör zur Herstellung von

## Dübelverbindungen oder Verbindungen mit Verbindungsschrauben:

- ELEKTRO- ODER AKKUBOHRMASCHINE
- BOHRBÜCHSE FKP 101
- BOHRBÜCHSE FKP 102 (Löcher für Verbindungsschrauben, Länge 40-50-60 mm)

## Bohrer mit HM Schneiden und Befestigungsschaft S=8 MM

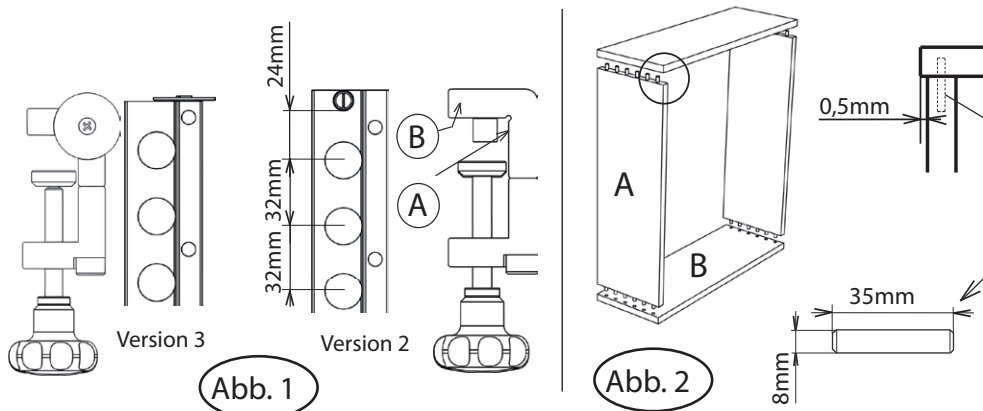
D 8x30 mm Dübelbohrer HM   C30808011   für FKP101 (undurchgehende Löcher)

D 5x40 mm Dübelbohrer HM   C30905011   für FKP102 (undurchgehende Löcher)

D 7x30 mm Dübelbohrer HM   C36707011   für FKP101 (durchgehende Löcher für Verbindungsschrauben)

**Beschreibung der Bohrlehre FKP400, FKP656**

Das ganze Gerät besteht aus einem Duraluminkörper mit genauen Bohrungen mit Durchmesser von 18 mm und Abstand von 32 mm, aus Befestigungsfüßen mit Befestigungsmuttern und aus Anschlägen am Rand der Bohrlehre. Die Anschläge sind nach Bedarf demontierbar und so konzipiert, dass der erste Dübel 24 mm vom Werkstückrand entfernt ist (**Abb. 1**). Die Version 3 enthält 2 Unterlagetypen, benutzen Sie diejenige, die Ihnen besser passt.

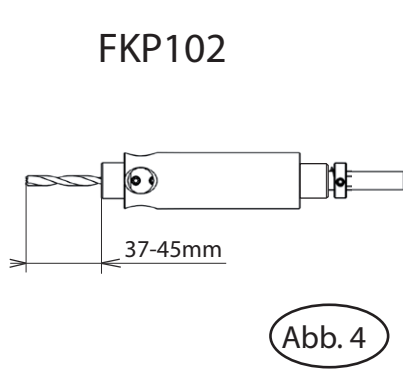
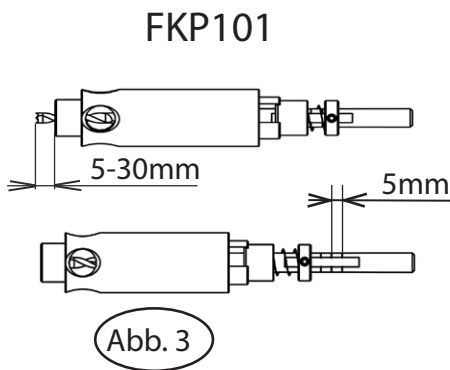


**A...** BOHRLEHRENFLÄCHE - Bohren der Löcher in die Seite  
**B...** BOHRLEHRENFLÄCHE - Bohren der Löcher in die Fläche

Die Bohrlehre hat zwei Arbeitsflächen mit einer Reihe von Bohrungen mit Durchmesser von 18 mm. Die Reihen sind gegeneinander so geschoben, dass sie auf der Verbindung die Überlappung eines Teiles, sog. Facette von 0,5 mm bilden (**Abb. 2**). Vor Verwendung versichern Sie sich immer, dass die Anschläge richtig befestigt sind und dass das Werkstück an beiden Bohrlehrenflächen anliegt und den Anschlag berührt.

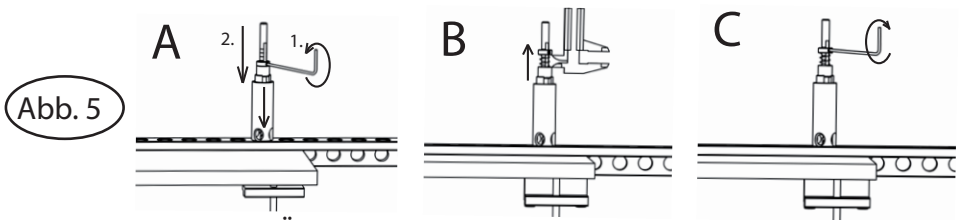
**BESCHREIBUNG DER BOHRBÜCHSE FKP101, FKP102**

Die Bohrbüchse besteht aus einer Duralumin-Zentrierbüchse und einer Achse mit Durchmesser von 9 mm mit Befestigungsteil für die Bohrer. Der Bohrschaft ist in Lagerführung der Zentrierbüchse eingebettet für Gewährleistung von maximaler Bohrgenauigkeit. Der Befestigungsteil wird mit einer Feder und einem mit Schraube befestigten Anschlagring gesichert. Die Bohrtiefe wird mit der Anschlagbüchse eingestellt, für Umfang der Bohrtiefen siehe Abbildung (**Abb. 3 und 4**). Die Bohrbüchse FKP101 ist für einfache Einstellung der Bohrtiefe mit einer Skala mit Strichen je 5 mm versehen (**Abb. 3**).



**Einstellung der Bohrtiefe FKP101, 102**

Die Vorgehensweise beim Einstellen wird auf Abbildung dargestellt (Abb. 5). Zum einfachen Bohren von Dübeln 35 mm Länge benutzen Sie den Ring FKP101-8 (seit 1.8.2010 in Sets enthalten). Den FKP Ring unter den Federanschlag unterbringen (Abb. 3). Werkstück in Bohrlehre befestigen. Die Bohreinstellung wird auf der oberen Seite der Bohrlehre durchgeführt. Die Bohrbüchse in die Bohrung mit Durchmesser von 18 mm Bohrbüchse so einführen, dass nachdem auf Schaft gedrückt wird, die Bohrspitze das befestigte Werkstück berührt. Schraube des Anschlagrings lockern (Imbus Schlüssel 2 mit FKP101-102 geliefert) und Anschlagring zur Bohrlehre drücken, bis der Anschlagring den Federanschlag berührt (Abb. 5A). Die Spitze des Bohrers muss stets das Werkstück berühren. Hiermit ist der Null-Punkt für Einstellung der Bohrtiefe eingestellt. Bohrtiefe fürs Bohren in Oberfläche, die 15 mm beträgt, zwischen dem Anschlagring und dem Federring einstellen. Nach der Einstellung der Tiefe die Schraube des Anschlagrings unter Berücksichtigung des Schraubendurchmessers sorgfältig festziehen (Abb. 5 C). Bei Bohrbüchse FKP101 kann dieser Wert dank Striche am Schaft gelesen werden, Abstand der Striche ist 5 mm (Abb. 3). Der Anschlagring ist so konstruiert, **dass beim Seitenbohren die Bohrtiefe um 2 mm länger als die Gesamtdübellänge (35 mm) ist** (Spanne für den Klebstoff).



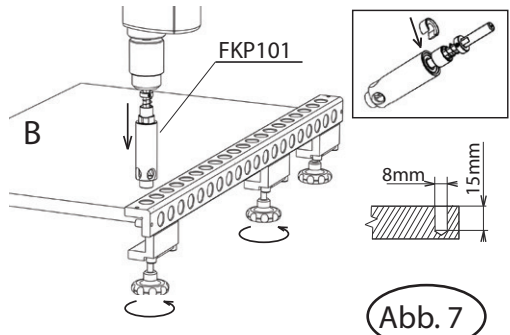
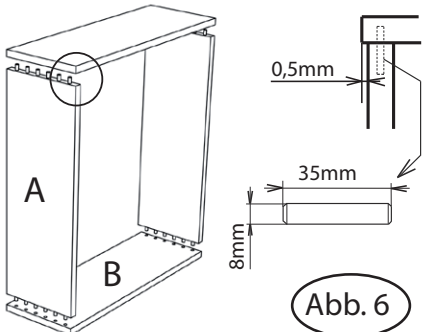
**HERSTELLUNG VON ECKDÜBELVERBINDUNG**

Die Aufteilung der Schrankkorpus-Teile wird auf Abbildung dargestellt (Abb. 6).

- Vor dem Bohren ist stets zu überprüfen, ob die Innenfläche der Bohrlehre am Werkstück anliegt.
- **Die Bohrlehre an Werkstück immer von Vorderseite anpassen und beim Bohren der Löcher in die Seite müssen die Befestigungsfüße zur Rückseite des Werkstücks orientiert sein, nie umgekehrt! So entsteht eine Facette von 0,5 mm.**
- Vor dem Bohren die Bohrtiefe überprüfen.
- Ist das gebohrte Loch nicht sauber, so, muss der Bohrer geschliffen werden.
- Ist die Bohrung nicht genug tief, größere Bohrtiefe auf der Bohrbüchse FKP101 einstellen.

**Bohren der Löcher in Fläche**

Metallanschlag in Bohrung am Rand der Bohrlehre befestigen. FKP auf Werkstück so anbringen, dass der Randanschlag an der Vorderseite des Werkstückes anliegt und die A-Fläche der Bohrlehre zur Rückseite des Werkstückes orientiert ist (Abb. 7).



Überprüfen, ob der Anschlag die Vorderseite der Platte berührt und die Innerflächen der Bohrlehre am Werkstück anliegen. Nun FKP mittels BefestigungsfüÙe befestigen. Befestigungsschrauben mit angemessener Kraft festziehen – genügende Befestigung benötigt keiner extremen Kraft. **Anschlagring FKP 101-8 auf die Bohrbüchse anstecken (Abb. 5)**. Bohrtiefe 15 mm auf der Bohrbüchse einstellen, siehe **EINSTELLUNG DER BOHRTIEFE FKP101, 102, Seite 11**. Bohrbüchse mit entsprechendem Bohrer in Bohrungen auf Bohrlehre einlegen und Löcher für Dübeln bohren (**Abb.7**). Eher tiefe Löcher auf mehrmals bohren, damit die Späne vom Loch gut entfernt werden können. Richtige Drehrichtung einhalten – Bohrer werden in rechtsdrehender Ausführung geliefert.

**Bohren der Löcher in Seite**

Metallanschlag in Bohrung am Rand der Bohrlehre befestigen. FKP auf Werkstück so anbringen, dass der Randanschlag an der Vorderseite des Werkstückes anliegt und die BefestigungsfüÙe zur Rückseite des Werkstückes orientiert sind (**Abb. 8**).

Überprüfen, ob der Anschlag die Vorderseite der Platte berührt und die Innerflächen der Bohrlehre am Werkstück anliegen. Nun **FKP** mittels BefestigungsfüÙe befestigen. Befestigungsschrauben mit angemessener Kraft festziehen – genügende Befestigung benötigt keiner extremen Kraft. **Anschlagring FKP101-8 aus der Bohrbüchse entfernen**. Somit wird die Bohrtiefe auf 22 mm (**Abb.8**) umgestellt. Bohrbüchse mit entsprechendem Bohrer in Bohrungen auf Bohrlehre einlegen und Löcher für Dübeln bohren (**Abb. 8**). Eher tiefe Löcher auf mehrmals bohren, damit die Späne vom Loch gut entfernt werden können. Richtige Drehrichtung einhalten - Bohrer werden in rechtsdrehender Ausführung geliefert.

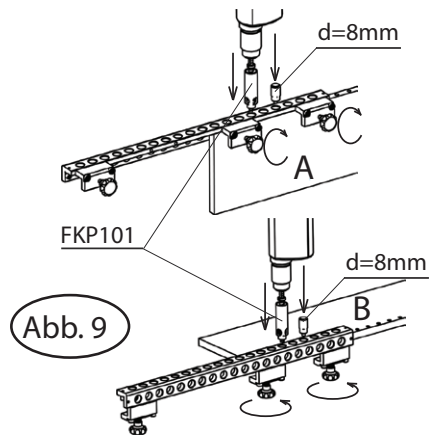
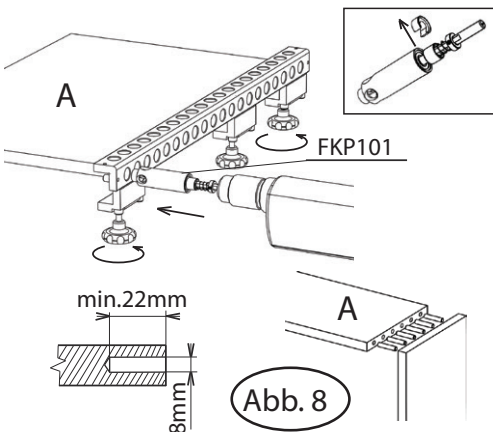
**Herstellung von Verbindung, die größer ist, als die Bohrlehre**

Der Arbeitsvorgang wird auf Abbildung dargestellt (**Abb. 9**).

Nach Entfernung des Randanschlags kann die Bohrlehre entlang der Werkstückseite geschoben werden. Zum Erfassen des letzten Lochs und zur Einhaltung des Abstandes von 32 mm gibt es einen **Zentrierstift**. Die Bohrlehre wird mit einem Zentrierstift für Dübeldurchmesser von 8 mm geliefert. Die Vorgehensweise ist gleich wie beim Bohren mit Randanschlag, die Position der Bohrlehre am Werkstück wird mit dem **Zentrierstift** gesichert.

**Hinweis !!!**

Beim Bohren ist die Bohrbüchse an Bohrlehre zu drücken um die Rechtwinkligkeit zu erhalten. Die Bohrbüchse kann mit anderer Hand unterstützt werden. Die Bohrmaschine ist immer senkrecht so zu halten, so dass die ganze Fläche der Bohrbüchse die Fläche von FKP berührt. **Löcher lieber auf mehrmals bohren. Stets sind Sicherheitshinweise für Arbeit mit Bohrmaschine zu beachten!**



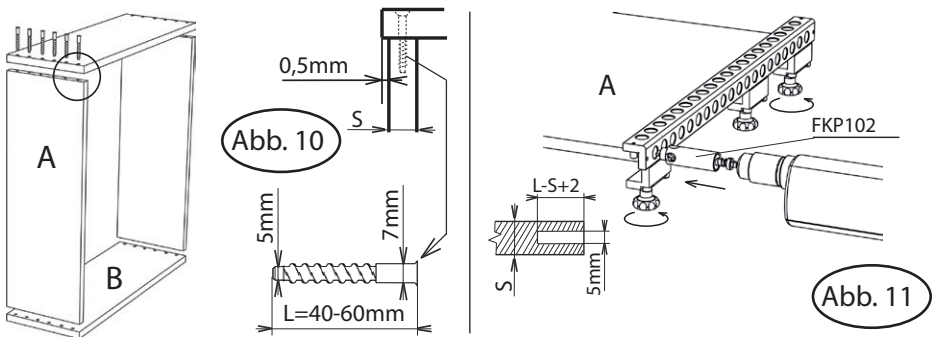
**HERSTELLUNG DER VERBINDUNG MIT VERBINDUNGSSCHRAUBEN**

Die Aufteilung der Schrankkorpus-Teile wird auf Abbildung dargestellt (Abb. 10).

- Vor dem Bohren ist stets zu überprüfen, ob die Innenfläche der Bohrlehre am Werkstück anliegt.
- **Die Bohrlehre an Werkstück immer von Vorderseite an anpassen und beim Bohren der Löcher in die Seite müssen die BefestigungsfüÙe zur Rückseite des Werkstücks orientiert sein, nie umgekehrt! So entsteht eine Facette von 0,5 mm.**
- Vor dem Bohren die Bohrtiefe überprüfen.
- Ist das gebohrte Loch nicht sauber, so muss der Bohrer geschliffen werden.
- Ist die Bohrung nicht genug tief, größere Bohrtiefe auf der Bohrbüchse FKP101 einstellen.

**Bohren der Löcher in Seite**

Zuerst berechnen, welche Lochtiefe Sie in die Seite zu bohren haben. Um dies zu berechnen, ziehen Sie von der Gesamtlänge der Verbindungsschraube die Dicke des zu verbindenden Materials zuzüglich 2 mm Spanne ab (Beispiel: Verbindungsschraube 60 mm - 18 mm Lamino - 2 mm Spanne = Bohrtiefe 40 mm. Bohrbüchse **FKP102** mit Bohrer für undurchgehende Löcher mit Durchmesser von **5mm und Arbeitslänge von 40 mm verwenden**. Umfang der Bohrtiefen beträgt 37-45 mm, Einstellung der Bohrtiefe wird höher beschrieben, siehe Herstellung von Dübelverbindung. Metallanschlag in die Bohrung am Rand der Bohrlehre befestigen. FKP auf Werkstück so anbringen, dass der Randanschlag an der Vorderseite des Werkstückes anliegt und die BefestigungsfüÙe zur Rückseite des Werkstückes orientiert sind (Abb. 11). **Beim Einstellen der Bohrtiefe für Verbindungsschrauben wird der Anschlag FKP101-8 nicht benutzt!**



Überprüfen, ob der Anschlag die Vorderseite der Platte berührt und die Innenflächen der Bohrlehre am Werkstück anliegen. Nun **FKP** mittels BefestigungsfüÙe befestigen. Befestigungsschrauben mit angemessener Kraft festziehen – genügende Befestigung benötigt keiner extremen Kraft. Bohrtiefe an der Bohrbüchse einstellen. Bohrbüchse mit entsprechendem Bohrer in Bohrungen auf Bohrhilfe einlegen und Löcher für Verbindungsschrauben bohren (Abb. 11). Eher tiefe Löcher auf mehrmals bohren, damit die Späne vom Loch gut entfernt werden können. Richtige Drehrichtung einhalten – Bohrer werden in rechtsdrehender Ausführung geliefert.

**Bohren der Löcher in Fläche**

**Bohrbüchse FKP101 mit Bohrer für durchgehende Löcher mit Durchmesser von 7mm verwenden!** Metallanschlag in die Bohrung am Rand der Bohrlehre befestigen. FKP auf Werkstück so anbringen, dass der Randanschlag an der Vorderseite des Werkstückes anliegt und die **A**-Fläche der Bohrlehre zur Rückseite des Werkstückes orientiert ist (Abb. 12).

Überprüfen, ob der Anschlag die Vorderseite der Platte berührt und die Innenflächen der Bohrlehre am Werkstück anliegen. Nun **FKP** mittels BefestigungsfüÙe befestigen. Bohrtiefe auf Bohrbüchse auf höchstmöglichen Wert einstellen. Bohrbüchse mit entsprechendem Bohrer in Bohrungen auf Bohrhilfe einlegen und Löcher für Verbindungsschrauben bohren (Abb. 12). Eher tiefe Löcher auf mehrmals bohren, damit die Späne vom Loch gut entfernt werden können. Richtige Drehrichtung einhalten – Bohrer werden in rechtsdrehender Ausführung geliefert. Die Bohrung muss druch das Material durchgehen.

## Herstellung von Verbindung, die größer ist, als die Bohrlehre

Der Arbeitsvorgang wird auf Abbildung dargestellt (**Abb. 13**).

Nach Demontage des Randanschlags kann die Bohrlehre entlang der Werkstückseite geschoben werden. Zur Erfassung des letzten Lochs und Einhaltung des Abstandes von 32 mm gibt es Zentrierstifte, die in Basisverpackung der Bohrbüchse FKP102 geliefert werden. Zur Erfassung der Position beim Seitenbohren gibt es den Zentrierstift mit Durchmesser von 5 mm, für Flächenbohren den Zentrierstift mit Durchmesser von 7 mm. Die Vorgehensweise ist gleich wie beim Bohren mit Randanschlag, die Position der Bohrlehre am Werkstück wird mit dem Zentrierstift gesichert.

**Die Verbindung der Teile mit Dübeln und mit Verbindungsschrauben kann kombiniert werden, auch innerhalb einer Verbindung!!!**

### Hinweis !!!

Beim Bohren ist die Bohrbüchse an Bohrlehre zu drücken um die Rechtwinkligkeit zu erhalten. Die Bohrbüchse kann mit anderer Hand unterstützt werden. Der Bohrer ist immer senkrecht so zu halten, sodass die ganze Fläche der Bohrbüchse die Fläche der FKP berührt. **Löcher lieber auf mehrmals bohren. Stets sind Sicherheitshinweise für Arbeit mit Bohrmaschine zu beachten!**

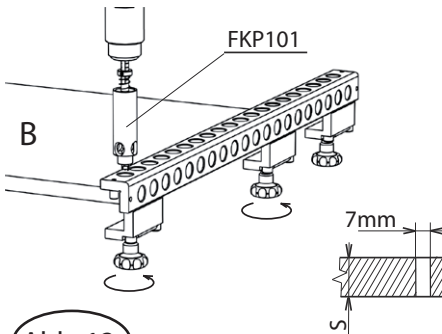


Abb. 12

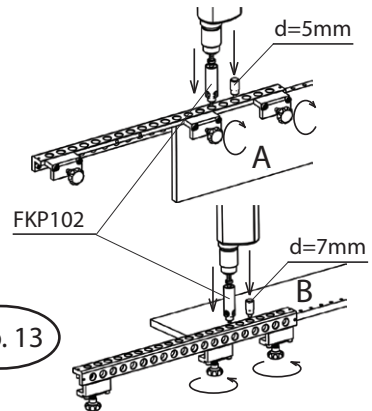


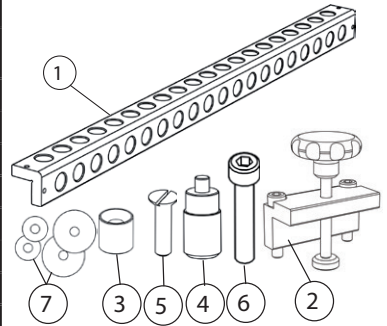
Abb. 13

## SICHERHEIT

- Vor Austausch des Bohrers oder bei Einstellung die Bohrmaschine immer ausschalten und vom Netz trennen.
- Beim Bohren die drehenden Teile nicht berühren.
- Hörschuttmittel verwenden.
- Immer eine Luftschutzmaske oder einen Respirator benutzen.
- Keine lose Kleidung tragen. Versichern Sie sich, dass Sie keine freien Ärmel und keinen Schlips anhaben.
- Vor Einschaltung der Bohrmaschine überprüfen, ob der Bohrer richtig befestigt und der Anschlag Ring gesichert ist.
- Ungewünschte Einschaltung der Bohrmaschine vorbeugen: vor Einstöpseln und Schaltung ins Netz überprüfen, ob sich der Schalter nicht in Stellung „ein“ befindet.
- Vor jeder Einstellung abwarten, bis die Bohrmaschine zum Stillstand kommt.

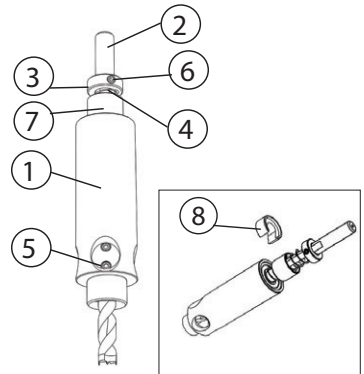
## FKP400-656

Ersatzteilliste v.2 und 3			
Pos.#	Beschreibung	Menge	Bestell.-Nr.
1	Körper der Bohrlehre FKP 400	1	
	Körper der Bohrlehre FKP 656	1	
2	Befestigungsfuß – komplett	2-4	FKP200
3	Randanschlag D10x10	2	FD3001-03
4	Zentrierstift D8	1	FKP9-18
5	Schraube M4x16	2	FS200-154
6	Schraube M8x45	4-6	FS200-155
7	Unterlage d6/18 und d6/30 FKP656	2; 2	



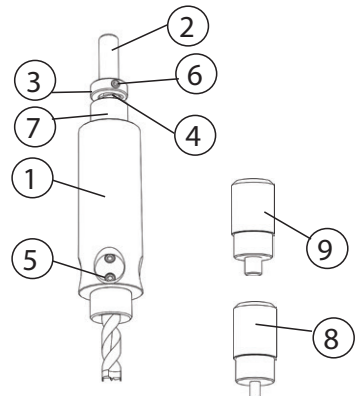
## FKP101

Ersatzteilliste v.2			
Pos.#	Beschreibung	Menge	Bestell.-Nr.
1	FKP101 Körper mit Lagern	1	
2	Achse FKP101	1	
3	Anschlagring	1	FKP101-3
4	Feder	1	FKP101-5
5	Einstellungsschraube M4x4	2	FS200 153
6	Einstellungsschraube M4x5	1	FS200 115
7	Anschlag für die Feder	1	FKP101-7
8	Ring für FKP	1	FKP101-8
9	Imbus Schlüssel 2 mm	1	FS800 002



## FKP102

Ersatzteilliste v.2			
Pos.#	Beschreibung	Menge	Bestell.-Nr.
1	FKP101 Körper mit Lagern	1	
2	Achse FKP101	1	
3	Anschlagring	1	FKP101-3
4	Feder	1	FKP101-5
5	Einstellungsschraube M4x4	2	FS200 153
6	Einstellungsschraube M4x5	1	FS200 115
7	Anschlag für die Feder	1	FKP101-7
8	Zentrierstift d5 - schwarz	1	AKP9-15
9	Zentrierstift d7 - schwarz	1	AKP9-17
10	Imbus Schlüssel 2 mm	1	FS800 002



OBSAH	STRANA
Použití přípravku FKP400, 656	16
Popis vrtacího pouzdra FKP101, FKP102	17
Výroba rohového kolíkového spoje	18
Výroba spoje na konfirmáty	20
Bezpečnost	21
Seznam náhradních dílů	22

## POUŽITÍ PŘÍPRAVKU

Přípravek FKP 400 a FKP 656 je určen pro výrobu rohových spojů nábytkových dílců na kolíky s tloušťkou desky 18-45mm, nebo konfirmáty o délce 40-50-60mm s tloušťkou desky 18-30mm, společně s vrtacím pouzdem FKP101 a FKP102 s libovolnou ruční elektrickou nebo aku vrtačkou. Díky důmyslnému provedení vrtacího pouzdra je možné používat v jednom pouzdře širokou řadu kolíkovacích vrtáků o různých vrtacích průměrech. Přípravek FKP400 a FKP656 zvyšuje kvalitu a přesnost spoje na kolíky nebo konfirmáty. Základem celého zařízení je přípravek vyrobený z eloxovaného duralu a vrtacího pouzdra, ve kterém je upnutý vrták s HM břitem. Díky jednoduché konstrukci, maximální přesnosti vrtacího přípravku a vrtacího pouzdra docílíte vyrobení přesného spoje na kolíky nebo konfirmáty. Výroba jednoho rohového spoje trvá cca 10 - 20 minut dle velikosti spoje.

## Základní příslušenství:

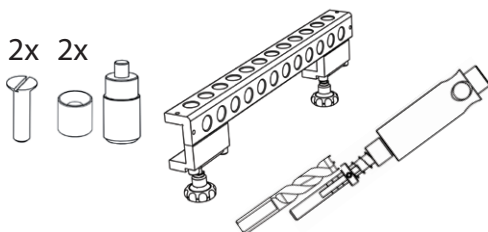
### FKP400-set

#### - přípravek FKP400

- 1 ks Přípravek z eloxovaného duralu se závitů pro upnutí dorazu na obou stranách
- 2 ks Ocelové dorazy D10x10
- 2 ks Šrouby M4x16
- 1 ks Středící kolík D8
- 2 ks Upínací patky
- 4 ks Šrouby M8x45

#### - vrtací pouzdro FKP101

#### - vrták D8x30 mm C30608011



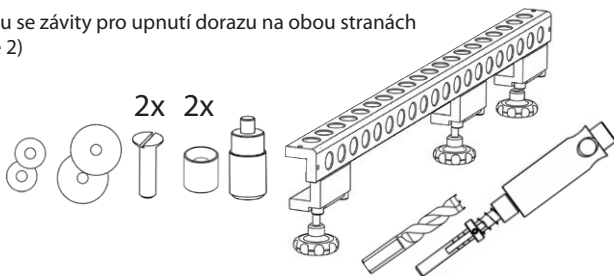
### FKP656-set

#### - přípravek FKP656

- 1 ks Přípravek z eloxovaného duralu se závitů pro upnutí dorazu na obou stranách
- 2 ks Ocelové dorazy D10x10 (verze 2)
- 2 ks Šrouby M4x16
- 1 ks Středící kolík D8
- 3 ks Upínací patky
- 6 ks Šrouby M8x45
- 2 ks podložky d6/30 (verze 3)
- 2 ks podložky d6/18 (verze 3)

#### - vrtací pouzdro FKP101

#### - vrták D8x30 mm C30608011



## Pro výrobu kolíkových nebo konfirmátových spojů je dále potřeba:

- ELEKTRICKÁ NEBO AKU VRTAČKA

- VRTACÍ POUZDRO **FKP 101**

- VRTACÍ POUZDRO **FKP 102** (otvory pro konfirmáty s délkou 40-50-60mm)

- VRTÁKY S HM BŘITEM A UPÍNACÍ STOPKOU S=8 MM

D 8x30 mm kolíkovací vrták HM **C30608011** pro **FKP101** (neprůchozí otvory)

D 5x40 mm kolíkovací vrták HM **C30705011** pro **FKP102** (neprůchozí otvory)

D 7x30 mm kolíkovací vrták HM **C36807011** pro **FKP101** (průchozí otvory pro konfirmáty)

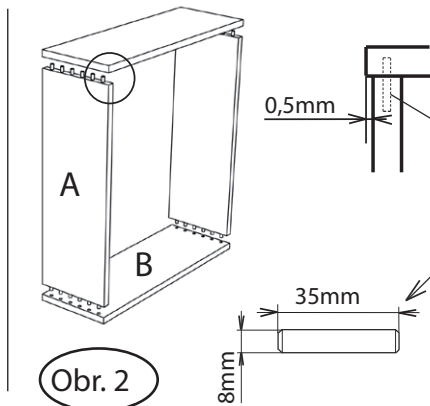
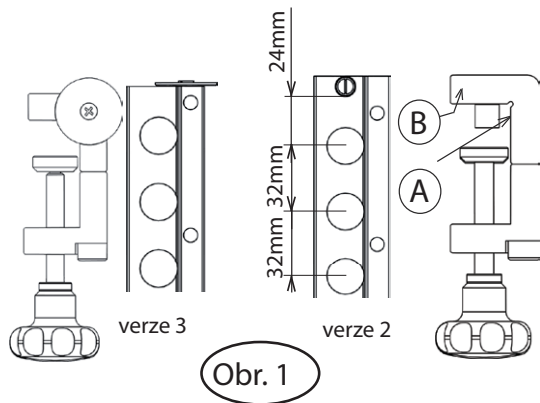


**Popis přípravku FKP400, FKP656**

Celý přípravek se skládá z duralového těla, na kterém jsou přesné otvory o průměru 18mm s roztečí 32 mm, upínací patky s utahovacími maticemi a dorazy upevněné na krajích přípravku. Dorazy jsou podle potřeby demontovatelné a konstruované tak, aby střed prvního kolíku byl od kraje vzdálený 24 mm (**obr. 1**). Verze 3 obsahuje 2 typy podložek, aby jste mohli použít, která Vám bude více vyhovovat.

A... PLOCHA ŠABLONY - vrtání otvorů do hrany

B... PLOCHA ŠABLONY - vrtání otvorů do plochy

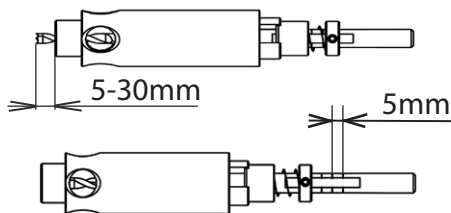


Na šabloně jsou dvě pracovní plochy, které jsou opatřeny řadou otvorů o průměru 18 mm. Řady otvorů jsou oproti sobě posunuty tak, aby vytvářely na spoji přesah jednoho dílce tzv. fazetku 0,5 mm (**obr. 2**). Před použitím se vždy přesvědčte, zda jsou dorazy správně upnuté a vrtaný materiál sedí na obou plochách šablony a dotýká se dorazu.

**POPIS VRTACÍHO POUZDRA FKP101, FKP102**

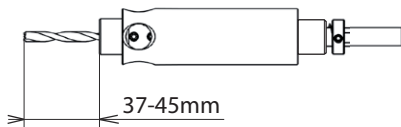
Vrtací pouzdro se skládá z centrovacího duralového pouzdra a hřídele o průměru 9mm s upínací částí pro vrtáky. Vrtací stopka je uložena v centrovacím pouzdra v ložiskovém vedení pro zajištění maximální přesnosti vrtání. K zajištění upínací části slouží pružina a dorazový kroužek, který je zajištěn šroubem. Hloubka vrtání se nastavuje dorazovým kroužkem, rozsah hloubek je na (**obr. 3 a 4**). U vrtacího pouzdra **FKP101** slouží pro jednoduché nastavení hloubky stupnice s ryskami po 5mm (**obr. 3**).

**FKP101**



Obr. 3

**FKP102**

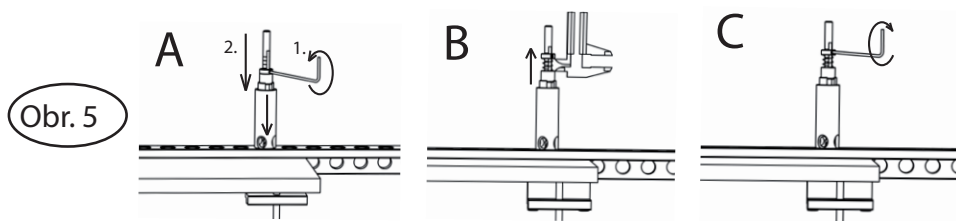


Obr. 4

### Nastavení vrtací hloubky FKP101, 102

Postup nastavení je znázorněn na (obr. 5). Pro snadné vrtání kolíků o délce 35mm použijte kroužek FKP101-8 (od 1.8.2010 součástí setů). Kroužek pro FKP vsadte pod doraz pro pružinu (obr. 3). Do vrtacího přípravku upněte materiál. Nastavení vrtání se provádí na vrchní ploše přípravku, vložte vrtací pouzdro do otvorů průměru 18mm tak, aby po zatlačení na stopku špička vrtáku dosedla na upnutý materiál. Povolte šroub dorazového kroužku (klíč imbus 2 mm je součástí balení FKP101-102) a zatlačte na kroužek směrem k vrtacímu přípravku, až dojde k dosednutí dorazového kroužku na doraz pro pružinu (obr.5 A). Vrták musí stále dosedat špičkou na materiál. Tímto je nastavený nulový bod vrtání. Hloubka vrtání do plochy, která je 15mm nastavte mezi dorazovým kroužkem a dorazem pro pružinu.

Po nastavení hloubky vrtání pečlivě dotáhněte šroub dorazového kroužku s ohledem na jeho průměr (obr.5 C). U vrtacího pouzdra FKP101 lze hodnotu 15mm odečíst pomocí rysek na stopce, rozteč dílků je 5mm (obr.3). Dorazový kroužek je konstruovaný tak, aby vrtaná hloubka do hrany byla o 2mm větší jak celková délka kolíku, který má 35mm (rezerva pro lepidlo).



Obr. 5

### VÝROBA ROHOVÉHO KOLÍKOVÉHO SPOJE

Rozvržení dílců korpusu skříně je ukázáno na obrázku (obr. 6).

-Vždy před vrtáním zkontrolujte, zda se přípravek perfektně dotýká dílce na vnitřní části přípravku.

**-Vždy přípravek lícujte na dílec od přední hrany a při vrtání otvorů do hrany musí upínací patky směřovat k rubové straně dílce, nikdy ne naopak!! Tím zajistíte fazetku 0,5 mm.**

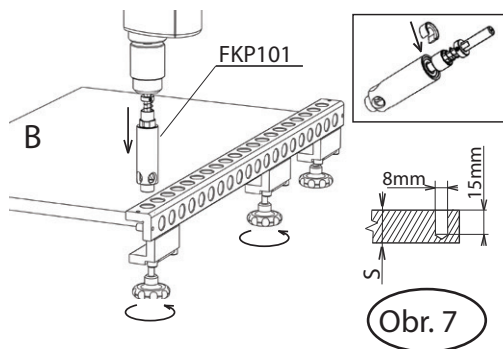
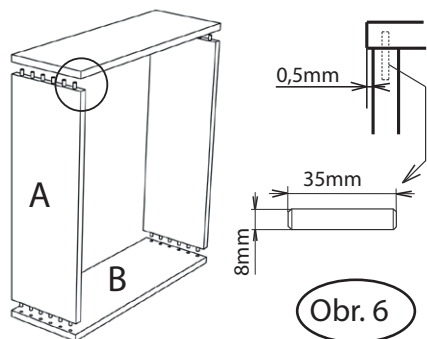
-Před vrtáním zkontrolujte hloubku vrtání.

-Pokud vyvrtaný otvor není čistý, je třeba vrták naostřit.

-Pokud otvor není dostatečně hluboký, nastavte větší hloubku vrtání na vrtacím pouzdra FKP101.

### Vrtání otvorů do plochy

Upevněte kovový doraz do otvoru na kraji přípravku. Umístěte FKP na dílec tak, aby krajní doraz byl na přední hraně dílce a plocha šablony A směřovala k rubové straně dílce (obr. 7).



Ujistěte se, že se doraz dotýká přední hrany desky a vnitřní plochy šablony sedí přímo na dílci. Nyní upněte FKP pomocí upínacích patek. Utahovací šrouby dotahujte rukou přiměřenou silou, na dostatečné upnutí není třeba vyvinout extrémní sílu. **Vložte dorazový kroužek FKP101-8 na vrtací pouzdro (obr.5).** Nastavte hloubku vrtání 15mm na vrtacím pouzdru viz. **NASTAVENÍ HLOUBKY VRTÁNÍ FKP101,102 str. 18.** Vložte vrtací pouzdro s příslušným vrtákem do otvorů a začněte vrtat otvory pro kolíky **(obr. 7)**. Hlubší otvory vrtejte postupně, aby se otvor mohl dobře čistit od třísek. Dodržujte správný směr otáček – vrtáky se dodávají v pravotočivém provedení.

### Vrtání otvorů do hrany

Upevněte kovový doraz do otvoru na kraji přípravku. Umístěte FKP na dílec tak, aby krajní doraz byl na přední hraně dílce a upínací patky směřovaly k rubové straně dílce **(obr. 8)**.

Ujistěte se, že se doraz dotýká přední hrany desky a vnitřní plochy šablony sedí přímo na dílci. Nyní upněte FKP pomocí upínacích patek. Utahovací šrouby dotahujte rukou přiměřenou silou, na dostatečné upnutí není třeba vyvinout extrémní sílu. **Odejměte dorazový kroužek FKP101-8 z vrtacího pouzdra.** Tím změňte hloubku vrtání na 22mm **(obr.8)**. Vložte vrtací pouzdro s příslušným vrtákem do otvorů a začněte vrtat otvory pro kolíky **(obr. 8)**. Hlubší otvory vrtejte postupně, aby se otvor mohl dobře čistit od třísek. Dodržujte správný směr otáček – vrtáky se dodávají v pravotočivém provedení.

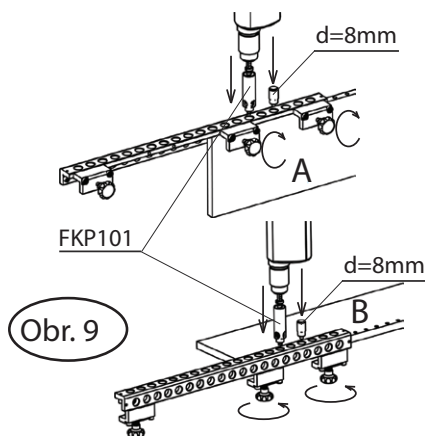
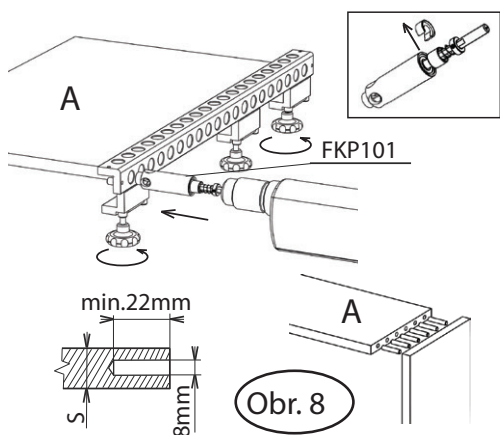
### Výroba spoje o délce větší než je vrtací šablona

Postup práce je ukázán na obrázku **(obr. 9)**.

Po odmontování krajního dorazu můžete vrtací přípravek posouvat po hraně dílce. Pro zachycení posledního otvoru a zachování rozteče 32 mm slouží **středící kolík**. K přípravku je dodáván kolík pro průměr kolíků 8mm. Postup je stejný jako pro vrtání s bočním dorazem, poloha přípravku na vrtaném dílci je zajištěna středícím kolíkem.

### Upozornění !!!

Při vrtání přitlačujte vrtací pouzdro k šabloně, aby byla zachována kolmost. K přidržení pouzdra je možné použít druhou ruku. Udržujte vrtáčku vždy kolmo tak, aby se vrtací pouzdro celou plochou dotýkalo plochy **FKP. Raději vrtejte otvory postupně a vždy dodržujte bezpečnostní instrukce pro práci s vrtáčkou !**



## VÝROBA SPOJE NA KONFIRMÁTY

Rozvržení dílců korpusu skříně je ukázáno na obrázku. (obr. 10)

-Vždy před vrtáním zkontrolujte, zda se přípravek perfektně dotýká dílce na vnitřní části přípravku.

**-Vždy přípravek ličujte na dílec od přední hrany, při vrtání otvorů do hrany musí upínací patky směřovat k rubové straně dílce, nikdy ne naopak!! Tím zajistíte fazetku 0,5 mm.**

-Před vrtáním zkontrolujte hloubku vrtání.

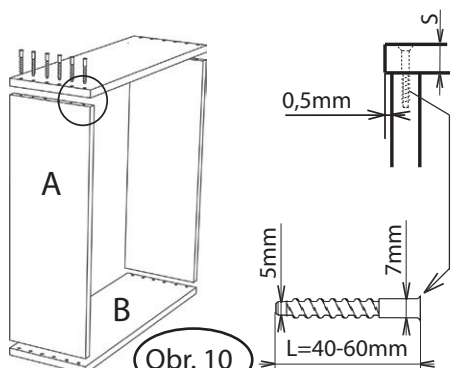
-Pokud vyvrtaný otvor není čistý, je třeba vrták naostřit.

-Pokud otvor není dostatečně hluboký, nastavte větší hloubku vrtání na vrtacím pouzdru FKP101.

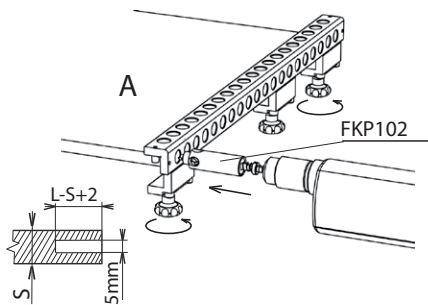
### Vrtání otvorů do hrany

Nejprve si spočítejte jakou hloubku otvoru potřebujete do hrany vrtat. Tento údaj spočítáme tak, že od celkové délky konfirmátu odečteme tloušťku spojovaného materiálu a 2mm rezervu (příklad: konfirmát 60mm - 18mm lamino - 2mm rezerva = hloubka vrtání 40mm). Použijte vrtací pouzdro **FKP102** s vrtákem pro neprůchozí otvory o průměru **5mm** a **pracovní délce 40mm**. Rozsah vrtacích hloubek je 37-45 mm, nastavení hloubky je popsáno u výroby kolíkového spoje. Upevněte kovový doraz do otvoru na kraji přípravku. Umístěte FKP na dílec tak, aby krajní doraz byl na přední hraně dílce a upínací patky směřovaly k rubové straně dílce (obr. 11).

**Při nastavování vrtací hloubky pro konfirmáty se nepoužívá dorazový kroužek FKP101-8!**



Obr. 10



Obr. 11

Ujistěte se, že se doraz dotýká přední hrany desky a vnitřní plochy šablony sedí přímo na dílci. Nyní upněte **FKP** pomocí upínacích patek. Utaahovací šrouby dotahujte rukou přiměřenou silou, na dostatečné upnutí není třeba vyvinout extrémní sílu. Nastavte hloubku vrtání na vrtacím pouzdru. Vložte vrtací pouzdro s příslušným vrtákem do otvorů a začněte vrtat otvory pro konfirmáty (obr. 11). Hlubší otvory vrtajte postupně, aby se otvor mohl dobře čistit od třísek. Dodržujte správný směr otáček – vrtáky se dodávají v pravotočivém provedení.

### Vrtání otvorů do plochy

**Použijte vrtací pouzdro FKP101 s vrtákem pro průchozí otvory o průměru 7mm!** Upevněte kovový doraz do otvoru na kraji přípravku. Umístěte FKP na dílec tak, aby krajní doraz byl na přední hraně dílce a plocha šablony **A** směřovala k rubové straně dílce (obr. 12).

Ujistěte se, že se doraz dotýká přední hrany desky a vnitřní plochy šablony sedí přímo na dílci. Nyní upněte **FKP** pomocí upínacích patek. Nastavte hloubku vrtání na vrtacím pouzdru na maximální možnou. Vložte vrtací pouzdro s příslušným vrtákem do otvorů a začněte vrtat otvory pro konfirmáty (obr. 12). Hlubší otvory vrtajte postupně, aby se otvor mohl dobře čistit od třísek. Dodržujte správný směr otáček – vrtáky se dodávají v pravotočivém provedení. Otvor musí procházet skrz materiálem.

## Výroba spoje o délce větší než je vrtací šablona

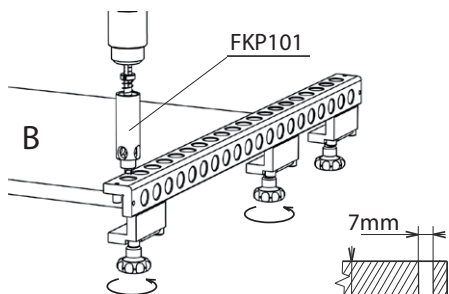
Postup práce je ukázán na obrázku (obr. 13).

Po odmontování krajního dorazu můžete vrtací přípravek posouvat po hraně dílce. Pro zachycení posledního otvoru a zachování rozteče 32 mm slouží středící kolíky, které jsou dodávány v základním sestavě vrtacího pouzdra FKP102. Pro fixování polohy při vrtání do hrany slouží středící kolík o průměru 5mm, pro vrtání do plochy středící kolík o průměru 7mm. Postup je stejný jako pro vrtání s bočním dorazem, poloha přípravku na vrtaném dílci je zajištěna centrovacím kolíkem.

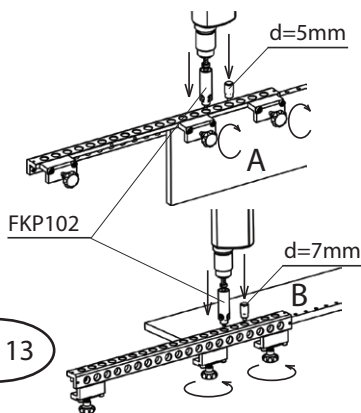
## Spojování dílců na kolíky a konfirmáty lze na jednom spoji kombinovat !!!

### Upozornění !!!

Při vrtání přitlačujte vrtací pouzdro k šabloně, aby byla zachována kolmost, k přidržení pouzdra je možné použít druhou ruku. Udržujte vrtačku vždy kolmo tak, aby se kopírovací pouzdro celou plochou dotýkalo plochy FKP. Raději vrtejte otvory postupně a vždy dodržujte bezpečnostní instrukce pro práci s vrtačkou !



Obr. 12



Obr. 13

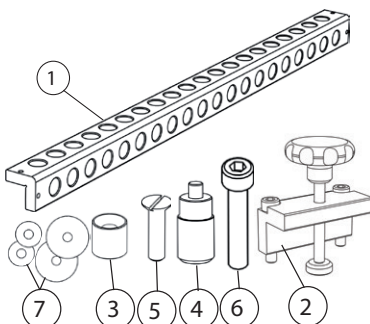
## BEZPEČNOST

- Před výměnou vrtáku nebo při nastavování hloubky vždy vypněte vrtačku a odpojte ji od přívodu elektrického proudu.
- Při vrtání se nedotýkejte otáčejících se částí.
- Používejte chrániče sluchu.
- Vždy používejte protiprachovou masku nebo respirátor.
- Nenoste volný oděv. Ujistěte se, že máte vyhrnutý nebo upnutý volné rukávy a že nemáte vázanku.
- Před zapnutím vrtačky se ujistěte, že je vrták řádně upnutý a dorazový kroužek je zajištěný.
- Především nechtěnému zapnutí vrtačky. Před zasunutím zástrčky do zásuvky a před připojením ke zdroji proudu se ujistěte, že vypínač není zaaretován v poloze „zapnuto“.
- Nežli zahájíte jakékoliv seřizování nebo výměnu nástroje, počkejte, dokud se vrtačka úplně nezastaví.

## FKP400-656

**Seznam náhradních dílů v.2 a 3**

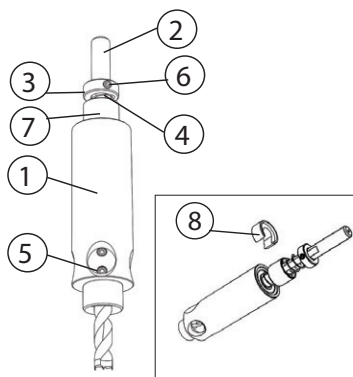
Poz.#	Popis	množství	Obj. číslo
1	Tělo vrtacího přípravku FKP400	1	
	Tělo vrtacího přípravku FKP656	1	
2	Přítlačná patka kompletní	2-4	FKP200
3	Boční doraz D10x10 FKP400	2	FD3001-03
4	Středící kolík D8	1	FKP9-18
5	Šroub M4x16	2	FS200-154
6	Šroub M8x45	4-6	FS200-155
7	Podložka d6/18 a d6/30 FKP656	2; 2	



## FKP101

**Seznam náhradních dílů v.2**

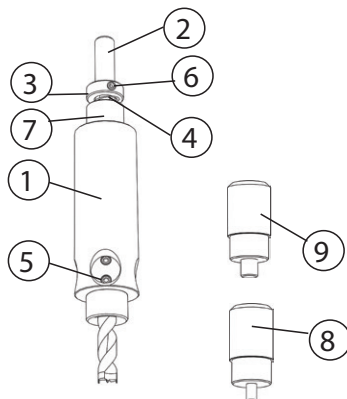
Poz.#	Popis	množství	Obj. číslo
1	Tělo FKP101 s ložisky	1	
2	Hřídel FKP101	1	
3	Dorazový Kroužek	1	FKP101-3
4	Pružina	1	FKP101-5
5	Šroub M4x4 (červík)	2	FS200 153
6	Šroub M4x5 (červík)	1	FS200 115
7	Doraz pro pružinu	1	FKP101-7
8	Kroužek pro FKP	1	FKP101-8
9	Klíč imbus 2 mm	1	FS800 002



## FKP102

**Seznam náhradních dílů v.2**

Poz.#	Popis	množství	Obj. číslo
1	Tělo FKP102 s ložisky	1	
2	Hřídel FKP102	1	
3	Dorazový Kroužek	1	FKP101-3
4	Pružina	1	FKP101-5
5	Šroub M4x4 (červík)	2	FS200 153
6	Šroub M4x5 (červík)	1	FS200 115
7	Doraz pro pružinu	1	FKP101-7
8	Středící kolík d5 - černý	1	AKP9-15
9	Středící kolík d7 - černý	1	AKP9-17
10	Klíč imbus 2 mm	1	FS800 002



OBSAH	STRANA
Použitie prípravku FKP400, 656	23
Popis vŕtacieho puzdra FKP101, FKP102	24
Výroba rohového spoja	25
Výroba spoje na konfirmáty	27
Bezpečnosť	28
Zoznam náhradných dielov	29

## POUŽITIE PRÍPRAVKU

Prípravok FKP 400 a FKP 656 je určený pre výrobu rohových spojov nábytkových dielcov na kolíky s hrúbkou dosky 18-45mm, alebo konfirmáty s dĺžkou 40-50-60mm s hrúbkou dosky 18-30mm, spoločne s vŕtacími puzdromi FKP101 a FKP102 s ľubovoľnou ručnou elektrickou alebo aku vŕtačkou. Vďaka dômyselnému prevedeniu vŕtacieho puzdra je možné používať v jednom puzdre širokú radu kolíkovacích vŕtákov s rôznymi vŕtacími priermi. Prípravok FKP400 a FKP656 zvyšuje kvalitu a presnosť spoja na kolíky alebo konfirmáty. Základom celého zariadenia je prípravok vyrobený z eloxovaného duralu a vŕtacieho puzdra, v ktorom je upnutý vrták s HM britom. Vďaka jednoduchej konštrukcii, maximálnej presnosti vŕtacieho prípravku a vŕtacieho puzdra docielite vyrobenie presného spoja na kolíky alebo konfirmáty. Výroba jedného rohového spoja trvá cca 10 - 20 minút podľa veľkosti spoja.

### Základné príslušenstvo:

#### FKP400-set

##### -prípravok FKP400

1ks Prípravok z eloxovaného duralu so závitmi pre upnutie dorazu na oboch stranách

2ks Ocelové dorazy D10x10

2ks Skrutky M4x16

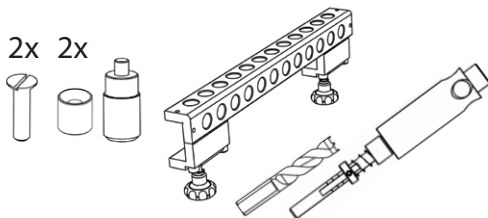
1ks Strediaci kolík D8

2ks Upínacie pätky

4ks Skrutky M8x45

##### -vŕtacie puzdro FKP101

##### -vrtákD8x30 mm C30608011



#### FKP400-set

##### -prípravok FKP656

1ks Prípravok z eloxovaného duralu so závitmi pre upnutie dorazu na oboch stranách

2ks Ocelové dorazy D10x10 (verzia 2)

2ks Skrutky M4x16

1ks Strediaci kolík D8

3ks Upínacie pätky

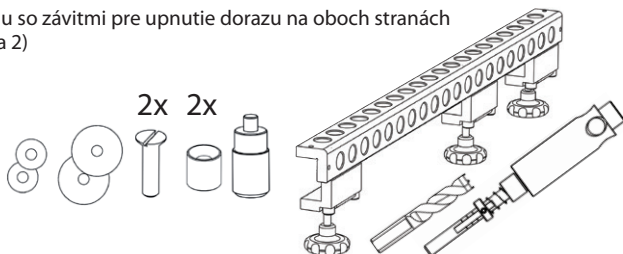
6ks Skrutky M8x45

2 ks podložky d6/30 (verzia 3)

2 ks podložky d6/18 (verzia 3)

##### -vŕtacie puzdro FKP101

##### -vrtákD8x30 mm C30608011



### Pre výrobu kolíkových alebo konfirmátových spojov je ďalej potrebné:

- Elektrická alebo aku vŕtačka

- Vŕtacie puzdro **FKP 101**

- Vŕtacie puzdro **FKP 102** (otvory pre konfirmáty s dĺžkou 40-50-60mm)

### Vŕtáky s hm britom a upínacou stopkou S=8 MM

D 8x30 S8 mm kolíkovací vrták HM **C30608011** pre **FKP101** (nepriechodzie otvory)

D 5x40 S8 mm kolíkovací vrták HM **C30705011** pre **FKP102** (nepriechodzie otvory)

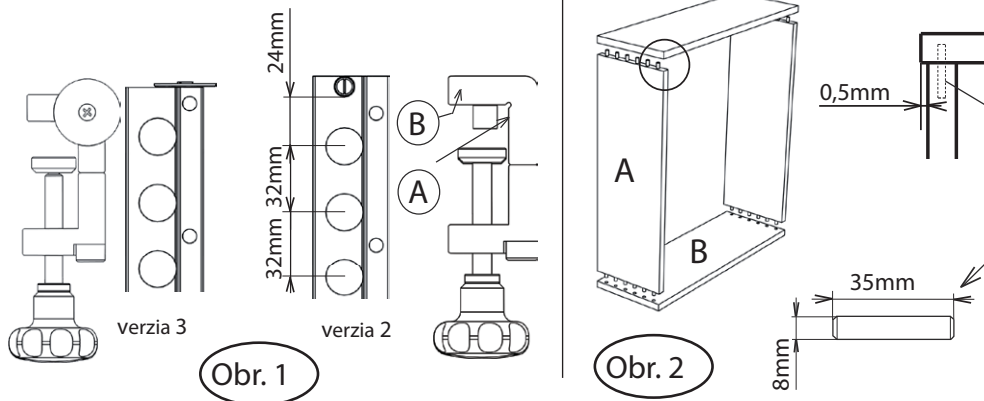
D 7x30 S8 mm kolíkovací vrták HM **C36807011** pre **FKP101** (priechodzie otvory pre konfirmáty)

### Popis prípravku FKP400, FKP656

Celý prípravok sa skladá z duralového tela, na ktorom sú presné otvory s priemerom 18mm s rozstupom 32mm, upínacie pätky s ťahovacími maticami a dorazy upevnené na krajoch prípravku. Dorazy sú podľa potreby demontovateľné a konštruované tak, aby bol prvý kolík od kraja vzdialený 24 mm (**obr. 1**). Verzia 3 obsahuje 2 typy podložiek použité podľa potreby tu, ktorá Vám viac vyhovuje.

**A...** PLOCHA ŠABLÓNY - vrtanie otvorov do hrany

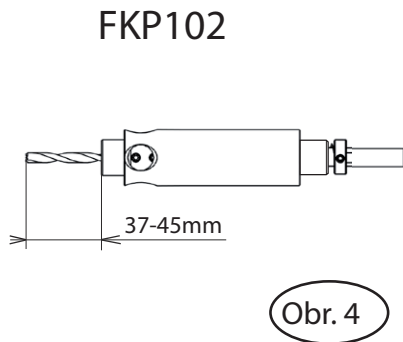
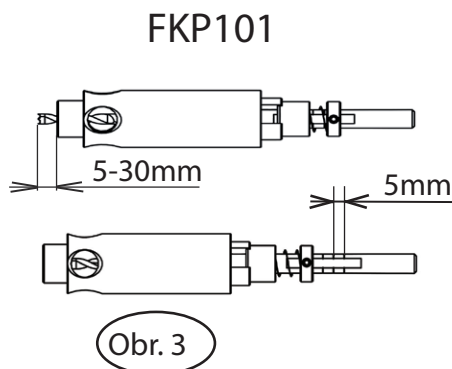
**B...** PLOCHA ŠABLÓNY - vrtanie otvorov do plochy



Na šablóne sú dve pracovné plochy, ktoré sú opatrené radou otvorov s priemerom 18 mm. Rady otvorov sú oproti sebe posunuté tak, aby vytvárali na spoji presah jedného dielca tzv. fazetku 0,5 mm (**obr. 2**). Pred použitím sa vždy presvedčíte, či sú dorazy správne upnuté a vrtaný materiál sedí na oboch plochách šablóny a dotýka sa dorazy.

### POPIS VŔTACIEHO PUZDRA FKP101, FKP102

Vŕtacie puzdro sa skladá z centrovacieho duralového puzdra a hriadeľa s priemerom 9mm s upínacou časťou pre vŕtáky. Vŕtacia stopka je uložená v centrovacom puzdre v ložiskovom vedení pre zaistenie maximálnej presnosti vŕtania. Na zaistenie upínacej časti slúži pružina a dorazový krúžok, ktorý je zaistený skrutkou. Hĺbka vŕtania sa nastavuje nastavovacím krúžkom, rozsah hĺbok je na (**obr. 3 a 4**). Pri vŕtacom puzdre **FKP101** slúži pre jednoduché nastavenie hĺbky stupnica s ryskami po 5mm (**obr. 3**).



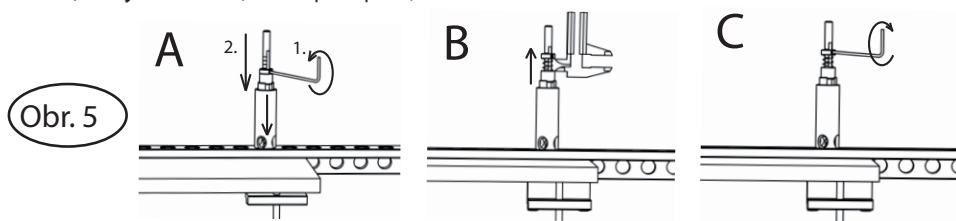


### Nastavenie vrtacej hĺbky FKP101, 102

Postup nastavenia je znázornený na (obr. 5). **Pre ľahké vrtanie kolíkov s dĺžkou 35mm použite krúžok FKP101-8 (od 1.8.2010 je súčasťou setov)**. Krúžok pre FKP vsadte pod doraz pre pružinu (obr. 3). Do vrtacieho prípravku upnite materiál. Nastavenie vrtania sa vykonáva na vrchnej ploche prípravku; vložte vrtacie puzdro do otvorov priemeru 18mm tak, aby po zatlačení na stopku špička vrtáku dosadla na upnutý materiál. Povoľte skrutku dorazového krúžku (kľúč imbus 2 je súčasťou balenia FKP101-102) a zatlačte na krúžok smerom k vrtaciemu prípravku, až dôjde k úplnému stlačeniu pružiny a dosadnutiu dorazového krúžku na doraz pre pružinu (obr. 5A). Vrták musí stále dosadať špičkou na materiál. Utiahnite skrutku dorazového krúžku a odmerajte vzdialenosť medzi krajom krúžku a koncom stopky (obr. 5B). Týmto je nastavený nulový bod pre nastavenie hĺbky vrtania. Hĺbku vrtania do plochy, ktorá je 15mm nastavte medzi dorazovým krúžkom a dorazom pre pružinu.

Po nastavení hĺbky vrtania starostlivo dotiahnite skrutku dorazového krúžku s ohľadom na jeho priemer (obr. 5C). Pri vrtacom puzdre **FKP101** je možné túto hodnotu odčítať pomocou rysiek na stopke, rozstup dielikov je 5mm (obr. 3).

Dorazový krúžok je konštruovaný tak, **aby vrtaná hĺbka do hrany bola o 2mm väčšia ako celková dĺžka kolíku, ktorý má 35mm** (rezerva pre lepidlo).



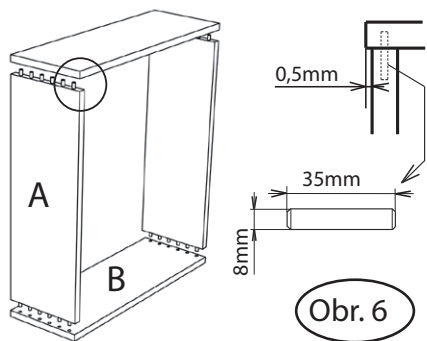
### VÝROBA ROHOVÉHO SPOJA

Rozvrhnutie dielcov korpusu skrine je ukázané na obrázku (obr. 6).

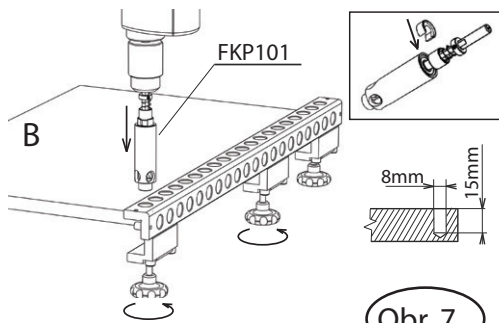
- Vždy pred vrtaním skontrolujte, či sa prípravok perfektne dotýka dielca na vnútornej časti prípravku.
- **Vždy prípravok líčujte na dielec od prednej hrany a pri vrtaní otvorov do hrany musia upínacie pätky smerovať k rubovej strane dielca, nikdy nie naopak!! Tým zaistíte fazetku 0,5 mm.**
- Pred vrtaním skontrolujte hĺbku vrtania.
- Pokiaľ vyvrtaný otvor nie je čistý, je potrebné vrták naostriť.
- Pokiaľ otvor nie je dostatočne hlboký, nastavte na vrtacom puzdre FKP101 väčšiu hĺbku vrtania.

### Vrtanie otvorov do plochy

Upevnite kovový doraz do otvoru na kraji prípravku. Umiestnite FKP na dielec tak, aby krajný doraz bol na prednej hrane dielca a plocha šablóny **A** smerovala k rubovej strane dielca (obr. 7).



Obr. 6



Obr. 7

Uistite sa, že sa doraz dotýka o prednú hranu dosky a vnútorné plochy šablóny sedia priamo na dieľci. Teraz upnite FKP pomocou upínacích pätičiek. Uťahovacie skrutky dotahujte rukou primeranou silou, na dostatočné upnutie nie je potrebné vyvinúť extrémnu silu. **Vložte dorazový krúžok FKP101-8 do vrtacieho puzdra (obr.5).** Nastavte hĺbku vrtania 15mm na vrtacom puzdre viz. **NASTAVENIE HĽBKY VRTANIA FKP101,102 str. 25.** Vložte vrtacie puzdro s príslušným vrtákom do otvorov a začnite vrtáť otvory pre kolíky (obr. 7). Hlbšie otvory vrtajte postupne, aby sa otvor mohol dobre čistiť od triesok. Dodržujte správny smer otáčok - vrtáky sa dodávajú v pravotočivom prevedení.

## Vrtanie otvorov do hrany

Upevnite kovový doraz do otvoru na kraji prípravku. Umiestnite FKP na dielec tak, aby krajný doraz bol na prednej hrane dieľca a upínacie pätky smerovali k rubovej strane dieľca (obr. 8).

Uistite sa, že sa doraz dotýka o prednú hranu dosky a vnútorné plochy šablóny sedia priamo na dieľci. Teraz upnite FKP pomocou upínacích pätičiek. Uťahovacie skrutky dotahujte rukou primeranou silou, na dostatočné upnutie nie je potrebné vyvinúť extrémnu silu. **Odoberte dorazový krúžok FKP101-8 z vrtacieho puzdra.** Tým zmeníte hĺbku vrtania na 22mm (obr. 8). Vložte vrtacie puzdro s príslušným vrtákom do otvorov a začnite vrtáť otvory pre kolíky (obr. 8). Hlbšie otvory vrtajte postupne, aby sa otvor mohol dobre čistiť od triesok. Dodržujte správny smer otáčok - vrtáky sa dodávajú v pravotočivom prevedení.

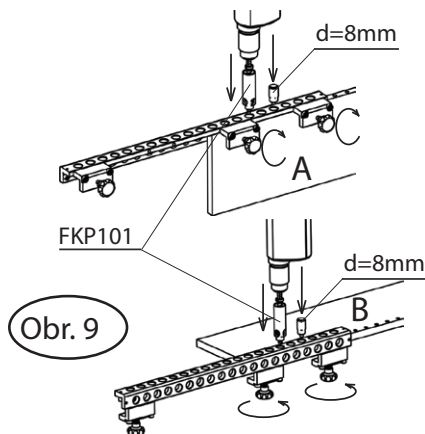
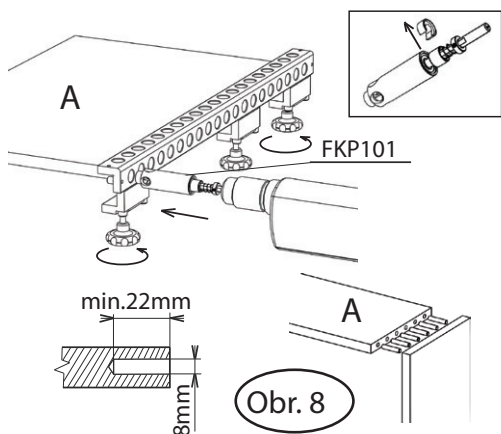
## Výroba spoja s dĺžkou väčšou než je vrtacia šablóna

Postup práce je ukázaný na obrázku (obr. 9).

Po odmontovaní krajného dorazu môžete vrtací prípravok posúvať po hrane dieľca. Pre zachytenie posledného otvoru a zachovanie rozstupu 32 mm slúži **strediaci kolík**. K prípravku je dodávaný kolík pre priemer kolíkov 8mm. Postup je rovnaký ako pre vrtanie s bočným dorazom, poloha prípravku na vrtanom dieľci je zaistená strediacim kolíkom.

## Upozornenie !!!

Pri vrtaní pritlačujte vrtacie puzdro k šablóne, aby bola zachovaná kolmosť. K pridržaniu puzdra je možné použiť druhú ruku. Udržujte vrtáčku vždy kolmo tak, aby sa vrtacie puzdro dotýkalo celou plochou plochy **FKP. Radšej vrtajte otvory postupne a vždy dodržujte bezpečnostné inštrukcie pre prácu s vrtáčkou!**



## VÝROBA SPOJE NA KONFIRMÁTY

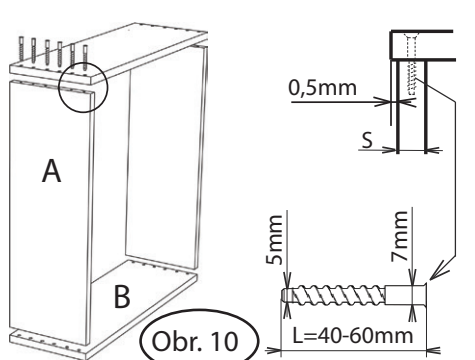
Rozvrhnutie dielcov korpusu skrine je ukázané na obrázku (obr. 10).

- Vždy pred vrtaním skontrolujte, či sa prípravok perfektne dotýka dieľa na vnútornej časti prípravku.
- **Vždy prípravok lícuje na dielec od prednej hrany a pri vrtaní otvorov do hrany musia upínacie pätky smerovať k rubovej strane dieľa, nikdy nie naopak!! Tým zaistíte fazetku 0,5 mm.**
- Pred vrtaním skontrolujte hĺbku vrtania.
- Pokiaľ vyvrtaný otvor nie je čistý, je potrebné vrták naostriť.
- Pokiaľ otvor nie je dostatočne hlboký, nastavte väčšiu hĺbku vrtania na vrtacom puzdre FKP101.

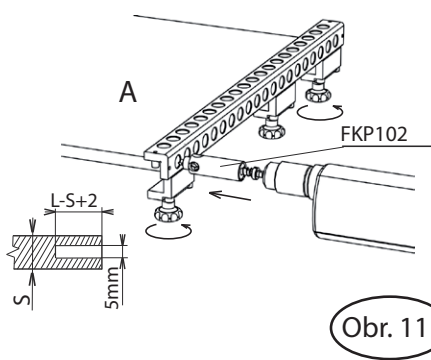
### Vrtanie otvorov do hrany

Najprv si spočítajte akú hĺbku otvoru potrebujete do hrany vrtáť. Tento údaj spočítame tak, že od celkovej dĺžky konfirmátu odpočítame hrúbku spojovaného materiálu a 2mm rezervu (príklad: konfirmát 60mm - 18mm lamino - 2mm rezerva = hĺbka vrtania 40mm). Použite vrtacie puzdro **FKP102** s vrtákom pre nepriechodzie otvory s priemerom 5mm. Rozsah vrtacích hĺbok je na 37-45 mm, nastavenie hĺbky popísané pri výrobe kolíkového spoja. Upevnite kovový doraz do otvoru na kraji prípravku. Umiestnite FKP na dielec tak, aby krajný doraz bol na prednej hrane dieľa a upínacie pätky smerovali k rubovej strane dieľa (obr. 11).

**Pri nastavovaní hĺbky vrtania pre konfirmáty sa dorazový krúžok FKP101-8 nepoužíva!**



Obr. 10



Obr. 11

Uistite sa, že sa doraz dotýka o prednú hranu dosky a vnútorné plochy šablóny sedia priamo na dieľci. Teraz upnite **FKP** pomocou upínacích pátiiek. Uťahovacie skrutky doťahujte rukou primeranou silou, na dostatočné upnutie nie je potrebné vyvinúť extrémnu silu. Nastavte hĺbku vrtania na vrtacom puzdre. Vložte vrtacie puzdro s príslušným vrtákom do otvorov a začnite vrtáť otvory pre konfirmáty (obr. 11). Hlbšie otvory vrtajte postupne, aby sa otvor mohol dobre čistiť od triesok. Dodržujte správny smer otáčok - vrtáky sa dodávajú v pravotočivom prevedení.

### Vrtanie otvorov do plochy

**Použite vrtacie puzdro FKP101 s vrtákom pre priechodzie otvory s priemerom 7mm!** Upevnite kovový doraz do otvoru na kraji prípravku. Umiestnite **FKP** na dielec tak, aby krajný doraz bol na prednej hrane dieľa a plocha šablóny A smerovala k rubovej strane dieľa (obr. 12).

Uistite sa, že sa doraz dotýka o prednú hranu dosky a vnútorné plochy šablóny sedia priamo na dieľci. Teraz upnite **FKP** pomocou upínacích pátiiek. Nastavte hĺbku vrtania na vrtacom puzdre na maximálnu možnú. Vložte vrtacie puzdro s príslušným vrtákom do otvorov a začnite vrtáť otvory pre konfirmáty (obr. 12). Hlbšie otvory vrtajte postupne, aby sa otvor mohol dobre čistiť od triesok. Dodržujte správny smer otáčok - vrtáky sa dodávajú v pravotočivom prevedení. Otvor musí prechádzať skrz materiál.

## Výroba spoja s dĺžkou väčšou než je vrtacia šablóna

Postup práce je ukázaný na obrázku (obr. 13).

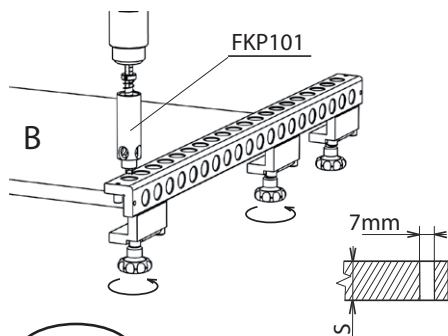
Po odmontovaní krajného dorazu môžete vrtací prípravok posúvať po hrane dielca. Pre zachytenie posledného otvoru a zachovanie rozstupu 32 mm slúžia strediacie kolíky, ktoré sú dodávané v základnej zostave vrtacieho puzdra FKP102. Pre fixovanie polohy pri vrtaní do hrany slúži strediaci kolík s priemerom 5mm, pre vrtanie do plochy strediaci kolík s priemerom 7mm. Postup je rovnaký ako pre vrtanie s bočným dorazom, poloha prípravku na vrtanom dielci je zaistená centrovacím kolíkom.

**Spojovanie dielcov na kolíky a konfirmáty je možné na jednom spoji kombinovať!!!**

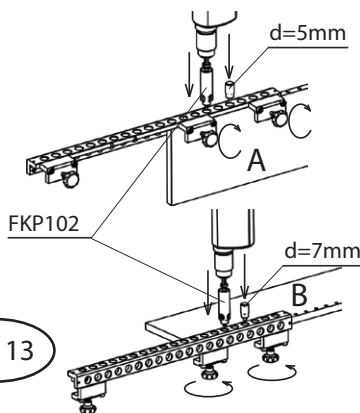
### Upozornenie!!!

Pri vrtaní pritlačujte vrtacie puzdro k šablóne, aby bola zachovaná kolmost'. K pridrżaniu puzdra je možné použiť druhú ruku. Udržujte vrtáčku vždy kolmo tak, aby sa kopírovacie puzdro dotýkalo celou plochou plochy FKP.

**Radšej vrtajte otvory postupne a vždy dodrżujte bezpečnostné inštrukcie pre prácu s vrtáčkou!**



Obr. 12



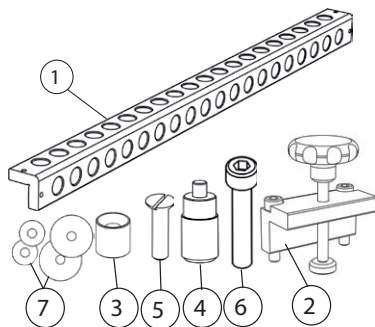
Obr. 13

## BEZPEČNOSŤ

- Pred výmenou vrtáku alebo pri nastavovaní hĺbky vždy vypnite vrtáčku a odpojte ju od prívodu elektrického prúdu.
- Pri vrtaní sa nedotýkajte otáčajúcich sa častí.
- Používajte chrániče sluchu.
- Vždy používajte protiprachovú masku alebo respirátor.
- Nenoste voľný odev. Uistite sa že máte vyhrnuté alebo upnuté voľné rukávy a že nemáte kravatu.
- Pred zapnutím vrtáčky sa uistite, že je vrták riadne upnutý a dorazový krúžok je zaistený.
- Predchádzajte nechcenému zapnutiu vrtáčky. Pred zasunutím zástrčky do zásuvky a pred pripojením k zdroji prúdu sa uistite, že vypínač nie je zaaretovaný v polohe „zapnuté“.
- Než začnete akékoľvek nastavovanie alebo výmenu nástroja, počkajte dokiaľ sa vrtáčka úplne nezastaví.

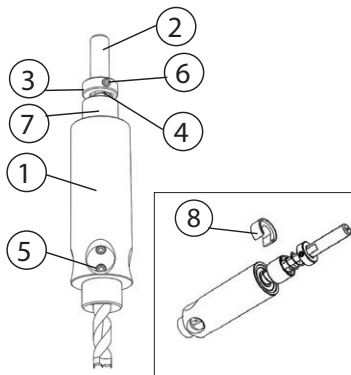
## FKP400-656

Zoznam náhradných dielov v.2 a 3			
Poz.#	Popis	množstvo	Obj. číslo
1	Telo vrtacieho prípravku FKP400	1	
	Telo vrtacieho prípravku FKP656	1	
2	Prítláčná päťka kompletná	2-4	FKP200
3	Bočný doraz D10x10	2	FD3001-03
4	Strediaci kolík D8	1	FKP9-18
5	Skrutka M4x16	2	FS200-154
6	Skrutka M8x45	4-6	FS200-155
7	Podložka d6/18 a d6/30 FKP656	2; 2	



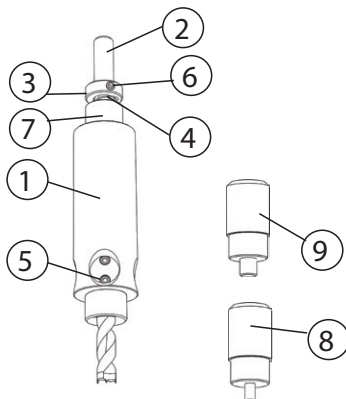
## FKP101

Zoznam náhradných dielov v.2			
Poz.#	Popis	množstvo	Obj. číslo
1	Telo FKP101 s ložiskami	1	
2	Hriadeľ FKP101	1	
3	dorazový Krúžok	1	FKP101-3
4	Pružina	1	FKP101-5
5	Skrutka nastavovacia M4x4	2	FS200 153
6	Skrutka nastavovacia M4x5	1	FS200 115
7	Doraz pre pružinu pod FKP101	1	FKP101-7
8	Krúžok pre FKP	1	FKP101-8
9	Kľúč imbus 2	1	FS800 002



## FKP102

Zoznam náhradných dielov v.2			
Poz.#	Popis	množstvo	Obj. číslo
1	Telo FKP102 s ložiskami	1	
2	Hriadeľ FKP102	1	
3	dorazový Krúžok	1	FKP101-3
4	Pružina	1	FKP101-5
5	Skrutka nastavovacia M4x4	2	FS200 153
6	Skrutka nastavovacia M4x5	1	FS200 115
7	Doraz pre pružinu pod FKP101	1	FKP101-7
8	Strediaci kolík d5 - čierny	1	AKP9-15
9	Strediaci kolík d7 - čierny	1	AKP9-17
10	Kľúč imbus 2	1	FS800 002



TARTALOM	OLDAL
FKP400, 656 készítmény használata	30
FKP101, FKP102 fúróhüvely leírása	31
Sarok tiplikötés készítése	32
Kötés készítése konfirmátokra	34
Biztonság	35
Cserealkatrészek listája	36

## KÉSZÍTMÉNY HASZNÁLATA

Az FKP 400 és FKP 656 készítmény sarokkötések gyártására szolgál bútorelemekben tiplikre 18-45 mm lemezvastagsággal, vagy konfirmátokra 40-50-60mm hosszal és 18-30 m lemezvastagsággal együtt az FKP101 és FKP102 fúróhüvellyel és bármilyen kézi, elektromos vagy akkus fúrógéppel. A fúróhüvely kivitelezésének köszönhetően egy hüvelyben sokféle tiplizőfúró használható különböző átmérőkkel. Az FKP400 és FKP656 készítmény növeli a tipli- vagy konfirmát kötés pontosságát. Az egész berendezés alapja az eloxált duralumíniumból készült készítmény és fúróhüvely, amelyben a fúró van befogatva HM éllel. A felépítésnek, fúrókészítmény és fúróhüvely maximális pontosságának köszönhetően egyedi minőséget ér el gyártmányainál. Egy sarokkötés gyártása kb. 10-20 percet vesz igénybe a kötés méretétől függően.

### Alap tartozékok:

#### FKP400-set

##### - FKP400 készítmény

- 1 db Készítmény eloxált duralumíniumból menetekkel ütközők befogatására mindkét oldalon
- 2 db Acélütköző D10x10
- 2 db Csavar M4x16
- 1 db Központozó ék D8
- 2 db Befogó talp
- 4 db Csavar M8x45

##### - Fúróhüvely FKP101

##### - Fúró D8x30mm C30608011

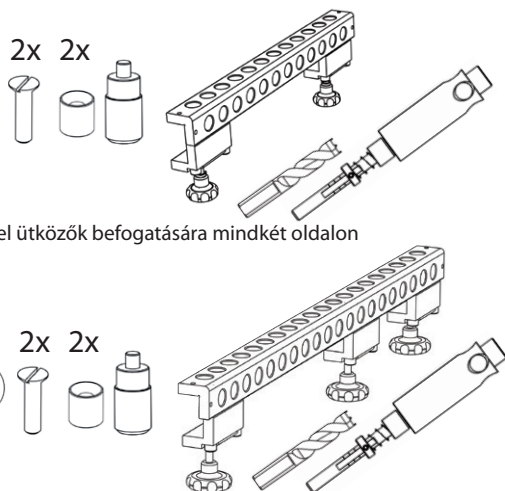
#### FKP656-set

##### - FKP656 készítmény

- 1 db Készítmény eloxált duralumíniumból menetekkel ütközők befogatására mindkét oldalon
- 2 db Acélütköző D10x10 (típus 2)
- 2 db Csavar M4x16
- 1 db Központozó ék D8
- 3 db Befogó talp
- 6 db Csavar M8x45
- 2 db Alátét d6/30 (típus 3)
- 2 db Alátét d6/18 (típus 3)

##### - Fúróhüvely FKP101

##### - Fúró D8x30 mm C30608011



### A készítménnyel való munkához szükséges:

- ELEKTROMOS VAGY AKKUS FÚRÓGÉP
- FKP 101 FÚRÓHÜVELY
- FKP 102 FÚRÓHÜVELY (nyílsok konfirmátokra 40-50-60mm hosszal)
- FÚRÓK HM ÉLLEL ÉS S=8MM BEFOGÓ SZÁRRAL

D 8x30 mm tipliző fúró HM **C30608011** **FKP101** (zárt nyílsok)

D 5x40 mm tipliző fúró HM **C30705011** **FKP102** (zárt nyílsok)

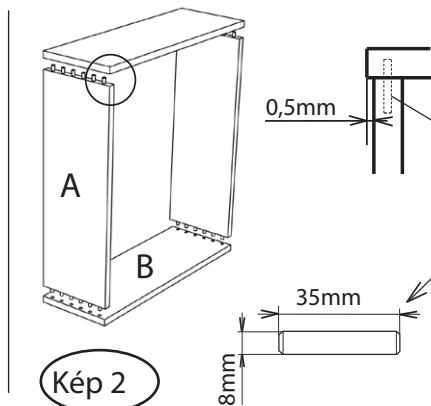
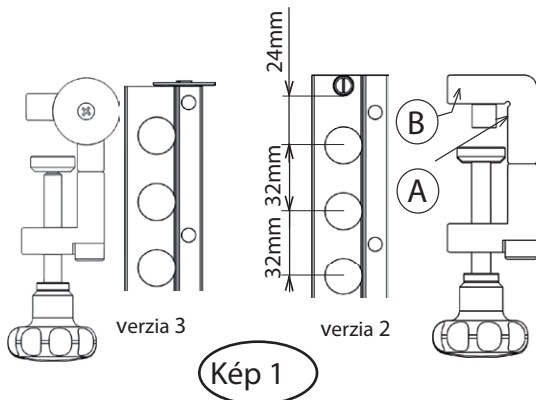
D 7x30 mm tipliző fúró HM **C36807011** **FKP101** (nyílsok konfirmátokra)

**FKP400, FKP656 Készítmény leírása**

Az egész készítmény duralumínium testből épül fel, amelyen pontos 18 mm átmérőjű nyílások vannak 32 mm térközzel, befogó talpak behúzó anyákkal és ütközők a készítmény szélein. Az ütközők leszerelhetőek és úgy vannak felépítve, hogy az első tipli közepe az éltől 24 mm-re van **(Kép 1)**. A típus 3 2 fajta alátétet tartalmaz, amelyből kiválaszthatja azt, amely jobban megfelel.

A... SABLON FELÜLETE – nyílások fúrása élbe

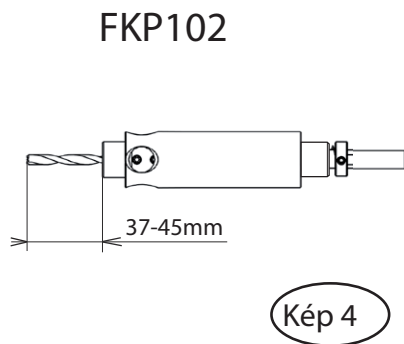
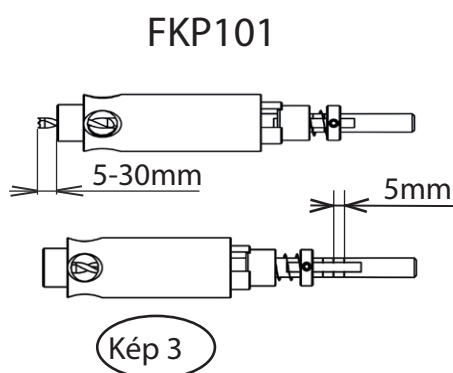
B... SABLON FELÜLETE – nyílások fúrása felületbe



A sablonon két munkafelület van, amelyek nyílások sorával van felszerelve 18 mm átmérővel. A sorok úgy vannak eltolva egymással szemben, hogy 0,5 mm-es fazettát alakítsanak ki **(Kép 2)**. Használat előtt bizonyosodjon meg, hogy az ütközők helyesen vannak rögzítve, és a fűrt anyag mindkét felületen érinti az ütközőket.

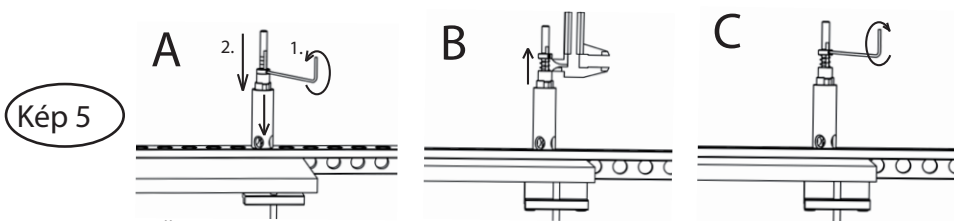
**FKP101, FKP102 FÚRÓHÜVELY LEÍRÁSA**

A fúróhüvely központozó duralumíniumból és 9mm átmérőjű tengelyből befogó résszel fúrókra épül fel. A fúrószár a központozó hüvelyben helyezkedik el csapágyas vezetésben a vezetés maximális pontosságáért. A befogó rész biztosítására rúg és ütközőgyűrű szolgál, amely csavarral van biztosítva. A fúrás mélysége az ütközőgyűrűvel van beállítva és gyűrűvel a rúg alatt, a mélységek tartományát a **(Kép 3 és 4)** ábrázolja. Az **FKP101** a mélység pontos beállítására a skála szolgál jelölésekkel 5 mm-ként **(Kép 3)**.



### FKP101, 102 fúrási mélységének beállítása

A beállítás menetét a **(Kép 5)** ábrázolja. **35 mm hosszú tiplik egyszerű fúrásához használjon FKP101-8 gyűrűt (2010.8.1-től a készlet tartalma)**. A gyűrűt helyezze a rúgó ütközője alá **(Kép 3)**. Az anyagra rögzítse a fúrókészítményt. Helyezze be a fúróhüvelyt a 18 mm nyílásokba úgy, hogy a szárra való nyomás után a fúró hegye a rögzített anyagra fekdűjön fel. Engedje meg az ütközőgyűrű csavarját (Imbusz kulcs 2 mm csomagolás része FKP101-102) és nyomja a gyűrűt a fúrókészítmény irányában, amíg az ütközőgyűrű nem fekszik fel a rúgó ütközőjére **(Kép 5 A)**. A fúrónak mindig érintenie kell a hegyével az anyagot. Ezzel van beállítva a fúrás nullpontja. A fúrás mélységét felületbe, amely 15 mm, állítsa be az ütközőgyűrű és rúgó ütközője között. A fúrás mélységének beállítása után erősen húzza meg az ütközőgyűrű csavarját tekintettel az átmérőjére **(Kép 5 C)**. A **FKP101** fúróhüvelynél a 15mm érték leolvasható a száron lévő jelölések segítségével, jelölések térköze 5mm **(Kép 3)**. Az ütközőgyűrű úgy van tervezve, **hogy a fúrt mélység az élve 2 mm-rel nagyobb legyen, mint tiplij teljes hossza, amely 35 mm hosszú** (tartalék ragasztóra).



Kép 5

### SAROK TIPLIKÖTÉS KÉSZÍTÉSE

A korpusz elemeinek felosztása a **(Kép 6)** található.

- Fúrás előtt mindig ellenőrizze, hogy a készítmény belső felülete tökéletesen érintkezik a munkadarabhoz.

**-A készítményt mindig fektesse teljesen a munkadarabra az elülső oldalról és élbe való fúrásnál a befogó talpának a darab hátoldala felé kell, hogy legyenek fordítva, soha fordítva!! Ezzel biztosítja a 0,5 mm fazettát.**

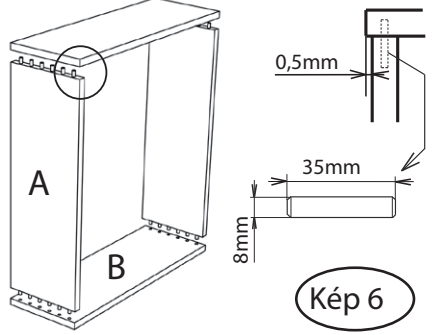
-Fúrás előtt ellenőrizze a fúrás mélységét.

-Ha a fúrt nyílás nem tiszta, a fúrót meg kell élezni.

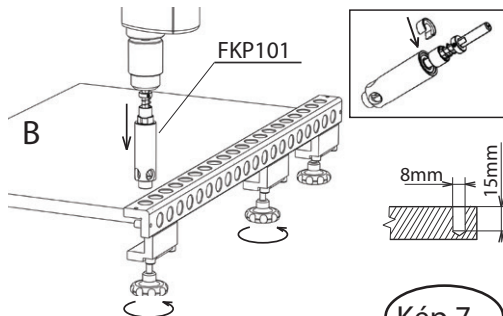
-Ha a nyílás nem elég mély, állítson nagyobb mélységet az FKP101 fúróhüvelyen.

### Nyílások fúrása felületbe

Rögzítse a fém ütközőt a nyílásokba a készítmény szélén. Helyezze az FKP-t a darabra úgy, hogy a szélső ütköző az elülső élén legyen a munkadarabon és a sablon felülete A a munkadarab hátoldala felé mutasson **(Kép 7)**.



Kép 6



Kép 7



Bizonyosodjon meg, hogy az ütköző a lemez felső élét érinti és a sablon belső felületei közvetlenül a munkadarabon fekszenek. Most az FKP-t rögzítse a talpak segítségével. A behúzó csavarokat kezeivel húzza meg nem túl nagy erővel, az elégséges rögzítéshez nincs szükség extrém erőfelfejtésre. **Helyezze be az ütközőgyűrűt FKP101-8 a fúróhüvelybe (Kép 5).** Állítsa a fúrás mélységét 15 mm-re a fúróhüvelyen, lásd **FKP101, 102 fúrási mélységének beállítása old. 18.** Helyezze be a fúróhüvelyt az adott fúróval a nyílásba és kezdje fúrni a nyílásokat a tiplikre **(Kép 7)**. Mélyebb nyílásokat fokozatosan fúrja, hogy a nyílás megfelelően tisztulhasson a forgácsoktól. Tartsa be a fordulatok megfelelő irányát – a fúrók jobbraforgó kivitelezésben vannak szállítva.

### Nyílások fúrása élbe

Helyezze az FKP-t a darabra úgy, hogy a szélső ütköző az elülső élén legyen a munkadarabnak és befogó talpak a darab hátoldala felé mutassanak **(Kép 8)**.

Bizonyosodjon meg, hogy az ütköző a lemez felső élét érinti és a sablon belső felületei közvetlenül a munkadarabon fekszenek. Most az FKP-t rögzítse a talpak segítségével. A behúzó csavarokat kezeivel húzza meg nem túl nagy erővel, az elégséges rögzítéshez nincs szükség extrém erőfelfejtésre. **Vegye le az ütközőgyűrűt FKP101-8 a fúróhüvelyről.** Ezzel megváltoztatja a fúrás mélységét 22mm-re **(Kép 8)**. Helyezze a fúróhüvelyt az adott fúróval a nyílásokba és kezdje fúrni a nyílásokat a tiplikre **(Kép 8)**. Mélyebb nyílásokat fokozatosan fúrja, hogy a nyílás megfelelően tisztulhasson a forgácsoktól. Tartsa be a fordulatok megfelelő irányát – a fúrók jobbraforgó kivitelezésben vannak szállítva.

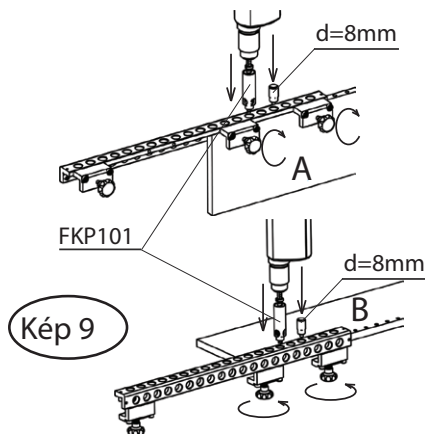
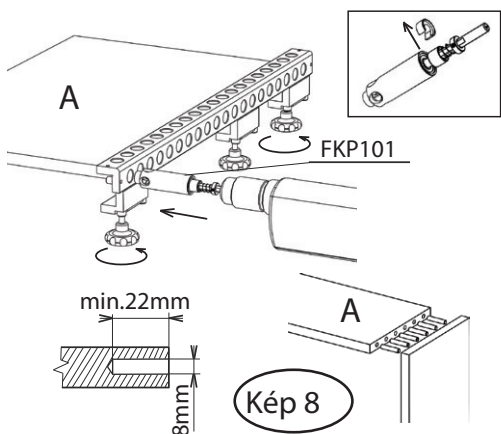
### Fúrósablonnál hosszabb kötés készítése

A munkamenetet a **(Kép 9)** ábrázolja.

A szélső ütköző leszerelése után a fúrókészítményt tolhatja a munkadarab élén. Az utolsó nyílás megfogására és 32 mm térköz megtartására a **központozó ék** szolgál. A készítményhez ék van szállítva 8mm átmérőjű tiplikhez. A munkamenet ugyanaz, mint szélső ütközővel való fúrásnál, a készítmény helyzete a munkadarabon a központozó ék által van biztosítva.

### FIGYELMEZTETÉS!!!

Fúrás közben nyomja a fúróhüvelyt a sablonhoz, hogy meg legyen tartva a merőlegesség, a tartáshoz használja a másik kezét. Tartsa a fúrót merőlegesen úgy, hogy a fúróhüvely teljes felületével érintse az FKP felületét és meg legyen tartva a merőlegesség. **A nyílásokat fokozatosan fúrja és tartsa be a biztonsági utasításokat fúrógéppel való munkára!**



## KÖTÉS KÉSZÍTÉSE KONFIRMÁTKORA

A korpusz elemeinek felosztása a (Kép 10) található.

- Fúrás előtt mindig ellenőrizze, hogy a készítmény belső felülete tökéletesen érintkezik a munkadarabhoz.  
**-A készítményt mindig fektesse teljesen a munkadarabra az elülső oldalról és élbe való fúrásnál a befogó talpaknak a darab hátoldala felé kell, hogy legyenek fordítva, soha fordítva!! Ezzel biztosítja a 0,5 mm fazettát.**

-Fúrás előtt ellenőrizze a fúrás mélységét.

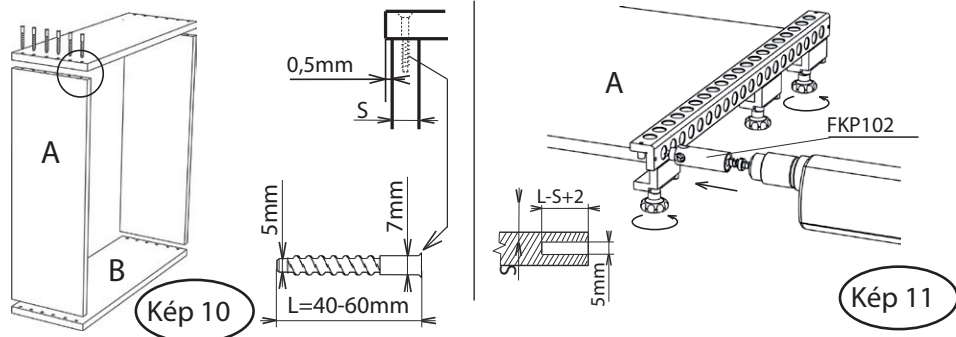
-Ha a fúrt nyílás nem tiszta, a fúrót meg kell élezni.

-Ha a nyílás nem elég mély, állítson nagyobb mélységet az FKP101 fúróhüvelyen.

### Nyílások fúrása élbe

Először számolja ki, milyen mély nyílást akar az élbe fúrni. Ezt az értéket úgy számoljuk ki, hogy a konfirmát teljes hosszából kivonjuk a kötött darab vastagságát és 2 mm tartalékot (Példa: konfirmát 60mm - 18mm lemez - 2mm tartalék = fúrás mélysége 40mm). Használja az **FKP102** fúróhüvelyt fúróval zárt nyílásokra **5 mm átmérővel és 40 mm munkahosszal**. A fúrási mélységek tartománya 37-45mm, a mélység beállítása a tiplikötés gyártása alatt van leírva. Rögzítse a fém ütközőt a készítmény szélére. Helyezze az FKP-t a munkadarabra úgy, hogy a szélső ütköző a munkadarab elülső élén legyen és a befogó talpak a munkadarab hátoldala felé mutassanak (Kép 11).

**A fúrási mélység beállításánál nem használatos az FKP101-8 ütközőgyűrű!**



Bizonyosodjon meg, hogy az ütköző a lemez felső élét érinti és a sablon belső felületei közvetlenül a munkadarabon fekszenek. Most az FKP-t rögzítse a talpak segítségével. A behúzó csavarokat kezeivel húzza meg nem túl nagy erővel, az elégséges rögzítéshez nincs szükség extrém erőfelfejtésre. Állítsa be a fúrás mélységét a fúróhüvelyen. Helyezze be a fúróhüvelyt az adott fúróval a nyílásba és kezdje fúrni a nyílásokat a konfirmátokra (Kép 11). Mélyebb nyílásokat fokozatosan fúrja, hogy a nyílás megfelelően tisztulhasson a forgácsoktól. Tartsa be a fordulatok megfelelő irányát – a fúrók jobbraforgó kivitelezésben vannak szállítva.

### Nyílások fúrása felületbe

**Használja az FKP101 fúróhüvelyt 7mm átmérőjű fúróval nyitott nyílásokra!** Rögzítse a fém ütközőt a készítmény szélén. Helyezze az FKP-t a munkadarabra úgy, hogy a szélső ütköző a munkadarab elülső élén legyen és a sablon felülete A a munkadarab hátoldala felé mutasson (Kép 12).

Bizonyosodjon meg, hogy az ütköző a lemez felső élét érinti és a sablon belső felületei közvetlenül a munkadarabon fekszenek. Most az **FKP-t** rögzítse a talpak segítségével. Állítsa a fúrási mélységet maximumra. Helyezze be a fúróhüvelyt az adott fúróval a nyílásba és kezdje fúrni a nyílásokat a konfirmátokra (Kép 12). Mélyebb nyílásokat fokozatosan fúrja, hogy a nyílás megfelelően tisztulhasson a forgácsoktól. Tartsa be a fordulatok megfelelő irányát – a fúrók jobbraforgó kivitelezésben vannak szállítva. A nyílásnak át kell haladnia az anyagon.

### Fúrósablonnal hosszabb kötés készítése

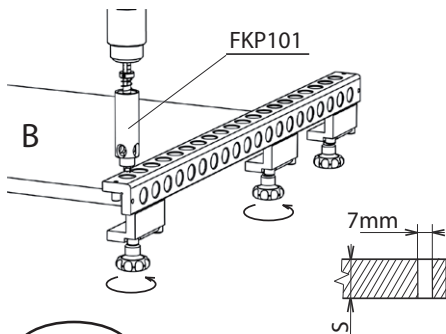
A munkamenetet a (Kép 13) ábrázolja.

A szélső ütköző leszerelése után a fúrókészítményt tolhatja a munkadarab élén. Az utolsó nyílás megfogására és 32 mm térköz megtartására a központosító ékek szolgálnak, amelyek alaptartozékok az FKP102 készletben. A pozíció rögzítésére élbe való fúrásnál a központosító ék szolgál 5 mm átmérővel, felületbe való fúrásnál 7 mm átmérővel. A munkamenet ugyanaz, mint szélső ütközővel való fúrásnál, a készítmény helyzete a munkadarabon a központosító ék által van biztosítva.

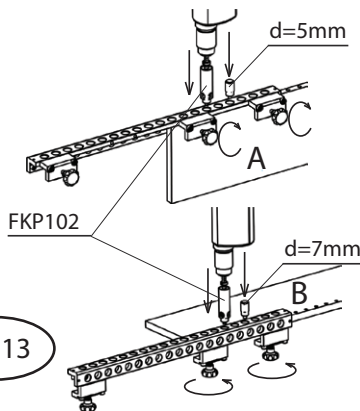
### Munkadarabok kötése tiplikre és konfirmátokra kombinálható egy kötésen!!!

#### Figyelmeztetés!!!

Fúrás közben nyomja a fúróhüvelyt a sablonhoz, hogy meg legyen tartva a merőlegesség, a tartáshoz használja a másik kezét. Tartsa a fúrót merőlegesen úgy, hogy a fúróhüvely teljes felületével érintse az FKP felületét és meg legyen tartva a merőlegesség. **A nyílásokat fokozatosan fúrja és tartsa be a biztonsági utasításokat fúrógéppel való munkára!**



Kép12



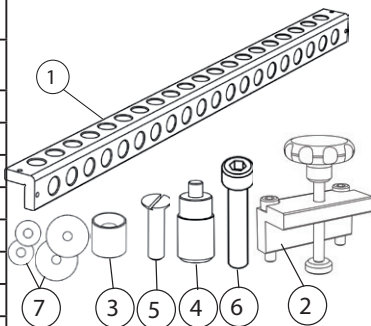
Kép13

### BIZTONSÁG

- Fúró cseréjénél vagy mélység beállításánál kapcsolja ki a fúrót és húzza ki a konnektorból.
- Fúrás közben ne érjen a forgó részekhez.
- Használjon hallásvédőt.
- Mindig használjon porgátló maszkot vagy légzésvédőt.
- Ne viseljen laza ruházatot. Bizonyosodjon meg, hogy fel van tűrve vagy be van gombolva a laza ingujj.
- Fúrógép bekapcsolása előtt bizonyosodjon meg, hogy a fúró rendesen be van fogatva és az ütközőgyűrű biztosítva van.
- Kerülje a fúrógép akaratlan bekapcsolását. Az elektromos hálózatra való csatlakoztatás előtt bizonyosodjon meg, hogy a kapcsoló nincs „bekapcsolt” pozícióban.
- Mielőtt nekikezd bármilyen beállításnak vagy szerszám cserének, várja meg, míg a fúrógép teljesen megáll.

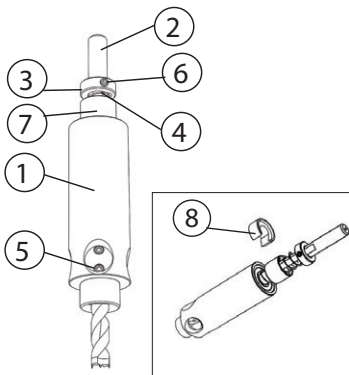
## FKP400-656

Cserealkatrészek listája v.2 a 3			
Poz.#	Leírás	Mennyiség	Rend. szám
1	Fúrókészítmény teste FKP400	1	
	Fúrókészítmény teste FKP656	1	
2	Szorító talp komplett	2-4	FKP200
3	Oldalsó ütköző D10x10 FKP400	2	FD3001-03
4	Központoszó ék D8	1	FKP9-18
5	Csavar M4x16	2	FS200-154
6	Csavar M8x45	4-6	FS200-155
7	Alátét d6/18 és d6/30 FKP656	2; 2	



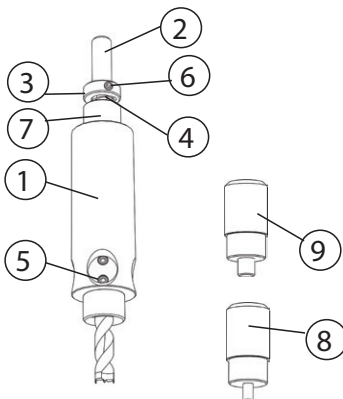
## FKP101

Cserealkatrészek listája v.2			
Poz.#	Leírás	Mennyiség	Rend. szám
1	FKP101 teste csapágyakkal	1	
2	Tengely FKP101	1	
3	Ütközőgyűrű	1	FKP101-3
4	Rúgó	1	FKP101-5
5	Csavar M4x4	2	FS200 153
6	Csavar M4x5	1	FS200 115
7	Ütköző rúgóhoz	1	FKP101-7
8	Gyűrű FKP-hoz	1	FKP101-8
9	Imbusz kulcs 2 mm		FS800 002



## FKP102

Cserealkatrészek listája v.2			
Poz.#	Leírás	Mennyiség	Rend. szám
1	FKP102 teste csapágyakkal	1	
2	Tengely FKP102	1	
3	Ütközőgyűrű	1	FKP101-3
4	Rúgó	1	FKP101-5
5	Csavar M4x4	2	FS200 153
6	Csavar M4x5	1	FS200 115
7	Ütköző rúgóhoz	1	FKP101-7
8	Központoszó ék d5 - fekete	1	AKP9-15
9	Központoszó ék d7 - fekete	1	AKP9-17
10	Imbusz kulcs 2 mm		FS800 002



ZAWARTOŚĆ	STRONA
Zastosowanie urządzenia FKP400, 656	37
Opis uchwytu wiertarskiego FKP101, FKP102	38
Wytwarzanie narożnikowego połączenia kołkowego	39
Wytwarzanie połączenia na konfirmaty	41
Bezpieczeństwo	43
Lista części zamiennych	44

## ZASTOSOWANIE URZĄDZENIA

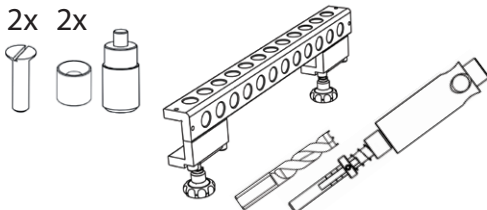
Urządzenie FKP 400 i FKP 656 z wykorzystaniem uchwytu wiertarskiego FKP101 i FKP102 oraz ręcznej wiertarki elektrycznej lub akumulatorowej przeznaczone jest do wytwarzania narożnikowych połączeń kołkowych w powierzchni elementów meblowych o grubości płyty od 18 do 45mm lub do połączeń na konfirmaty o długości konfirmatów 40-50-60 i o grubości płyty od 18 do 30mm. Dzięki specjalnej konstrukcji uchwytu wiertarskiego istnieje możliwość zastosowania w jednym uchwycie szerokiej gamy wiertel do dyblowania posiadających różne średnice. Przyrządy FKP400 i FKP656 w znacznym stopniu poprawiają jakość i precyzyjność połączeń na kołki lub na konfirmaty. Podstawą całego urządzenia jest przyrząd wykonany z anodowanego duraluminium oraz uchwyt wiertarski, w którym zamocowane jest wiertło z ostrzem HM. Dzięki specjalnej konstrukcji, maksymalnej precyzji przyrządu wiertarskiego i uchwytu wiertarskiego można osiągnąć wyjątkową jakość wytwarzanych połączeń kołkowych lub połączeń na konfirmaty. Wytwarzanie jednego narożnego połączenia zajmuje około 10-20 minut w zależności od wielkości złącza.

### Podstawowe akcesoria:

#### **FKP400-zestaw**

##### **-przyrząd FKP400**

- 1 szt. Przyrząd z anodowanego duraluminium z gwintami do zamocowania ogranicznika po obu stronach
- 2 szt. Stalowych ograniczników D10x10
- 2 szt. Śrub M4x16
- 1 szt. Kołek centrujący D8
- 2 szt. Stopek mocujących
- 4 szt. Śrub M8x45



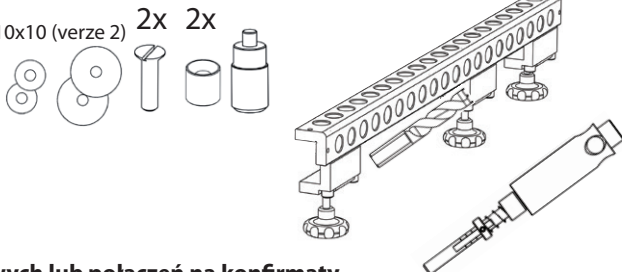
##### **-uchwyt wiertarski FKP101**

##### **-wiertło D8x30 mm C30608011**

#### **FKP400-zestaw**

##### **-przyrząd FKP656**

- 1 szt. Przyrząd z anodowanego duraluminium z gwintami do zamocowania ogranicznika po obu stronach
- 2 szt. Stalowych ograniczników D10x10 (wersje 2)
- 2 szt. Śrub M4x16
- 1 szt. Kołek centrujący D8
- 3 szt. Stopek mocujących
- 6 szt. Śrub M8x45
- 2 szt. podkładek d6/30 (wersja 3)
- 2 szt. podkładek d6/18 (wersja 3)



##### **-uchwyt wiertarski FKP101**

##### **-wiertło D8x30 mm C30608011**

### Do wytwarzania połączeń kołkowych lub połączeń na konfirmaty potrzebne będą również:

- WIERTARKA ELEKTRYCZNA LUB AKUMULATOROWA
- UCHWYT WIERTARSKI **FKP 101**
- UCHWYT WIERTARSKI **FKP 102** (otwory pod konfirmaty o długości 40-50-60mm)

### Wiertła z ostrzem hm i trzpieniem mocującym S=8 MM

D 8x30 58 mm wiertło do dyblowania HM C30608011 do **FKP101** (otwory nieprzelotowe)

D 5x40 58 mm wiertło do dyblowania HM C30705011 do **FKP102** (otwory nieprzelotowe)

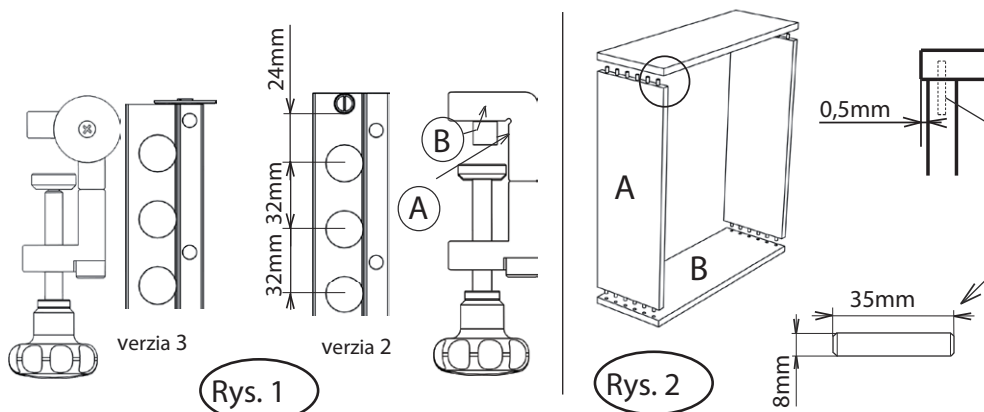
D 7x30 58 mm wiertło do dyblowania HM C36807011 do **FKP101** (otwory przelotowe pod konfirmaty)

### Opis urządzenia FKP400, FKP656

Całe urządzenie składa się z duraluminiowego korpusu, na którym znajdują się precyzyjne otwory o średnicy 18 mm z rozstawem 32 mm, stopki mocującej z nakrętkami służącymi do dokręcania oraz z ograniczników przymocowanych na krawędziach przyrządu. Ograniczniki w razie potrzeby można zdemontować. Ograniczniki zostały specjalnie zaprojektowane tak, aby środek pierwszego kołka znajdował się w odległości 24 mm od krawędzi (**rys. 1**). Wersja 3 zawiera 2 rodzaje podkładek, z których można wybrać tą, która będzie najlepiej pasowała.

**A...** POWIERZCHNIA SZABLONU - wiercenie otworów do krawędzi

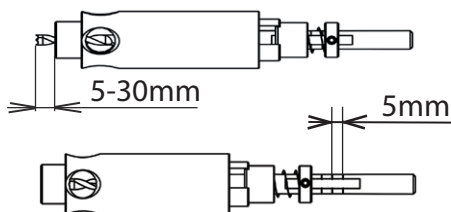
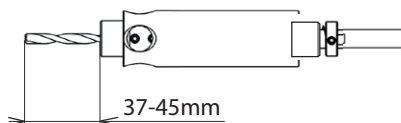
**B...** POWIERZCHNIA SZABLONU - wiercenie otworów do powierzchni



Na szablonie znajdują się dwie powierzchnie robocze, które posiadają wiele otworów o średnicy 18 mm. Rzędy otworów są przesunięte względem siebie tak, aby utworzyły na danym połączeniu wysunięcie jednego elementu czyli tak zwaną 0,5 mm fasetkę (**rys. 2**). Zawsze upewnij się, że ograniczniki zostały prawidłowo zamocowane, a obrabiany materiał osadzony jest na obu powierzchniach szablonu i przylega do ogranicznika.

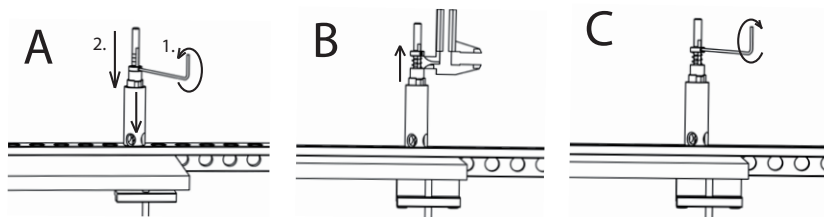
### POPIS WRTACIEHO PUZDRA FKP101, FKP102

Uchwyt wiertarski składa się z duraluminiowej tulei centrującej oraz wału o średnicy 9 mm z częścią przeznaczoną do zamocowania wiertel. Trzpień w celu zapewnienia maksymalnej precyzji podczas wiercenia ułożony został w tulei centrującej w prowadnicy łożyskowej. Do zabezpieczenia części mocującej służy sprężyna oraz pierścień oporowy, który z kolei zabezpieczony jest za pomocą śruby. Głębokość wiercenia ustawiana jest przez pierścień oporowy i pierścień znajdujący się pod sprężyną, a zakres głębokości można zobaczyć na (**rys. 3 i 4**). W przypadku uchwytu wiertarskiego **FKP101** do łatwego ustawienia głębokości stosuje się skalę z 5 mm odstępem kresek (**rys. 3**).

**FKP101**

**Rys. 3**
**FKP102**

**Rys. 4**

### Ustawienie głębokości wiercenia FKP101, 102

Procedura ustawienia głębokości przedstawiła jest na (rys. 5). W celu łatwiejszego wiercenia kołków o długości 35 mm, należy zastosować pierścień FKP101-8 (od 1 sierpnia 2010 znajduje się w zestawie). Włóż pierścień FKP pod ogranicznik sprężyny (rys.3). Do obrabianego elementu zamocuj przyrząd do wiercenia. Ustawianie wiercenia odbywa się na górnej powierzchni urządzenia. Wsadź uchwyt wiertarski do otworu o średnicy 18 mm, tak, aby po naciśnięciu na trzpień końcówka wiertła przylegała do obrabianego przedmiotu. Następnie poluzuj śrubę pierścienia oporowego (2 mm klucz imbusowy znajduje się w opakowaniu FKP101-102) i naciskaj na pierścień w kierunku przyrządu, do momentu, aż dojdzie do zatrzymania się pierścienia oporowego na ograniczniku sprężyny (rys.5 A). Końcówka wiertła musi cały czas przylegać do materiału. Nastawiony został zerowy punkt służący do ustawienia głębokości wiercenia. Głębokość wiercenia do powierzchni, która wynosi 15 mm należy ustawić między pierścieniem oporowym a ogranicznikiem sprężyny. Po ustawieniu wymaganej głębokości dokręć śrubę pierścienia oporowego biorąc pod uwagę jego średnicę (rys. 5C). W przypadku uchwytu wiertarskiego FKP101 wartość wynoszącą 15mm można odczytać za pomocą kresek znajdujących się na trzpieniu, gdzie odległość między poszczególnymi kreskami wynosi 5 mm (rys.3). Pierścień oporowy został tak skonstruowany, aby głębokość wiercenia do krawędzi była o 2 mm dłuższa od całkowitej długości kołka, który posiada 35 mm (rezerwa dla kleju).

**Rys. 5**


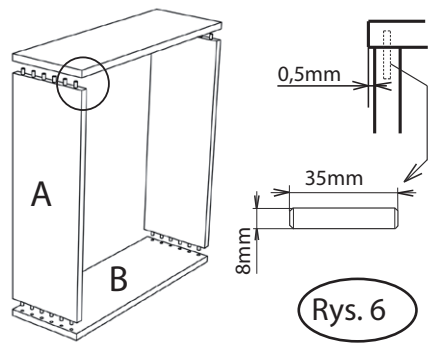
### WYTWARZANIE NAROŻNIKOWEGO POŁĄCZENIA KOŁKOWEGO

Rozmieszczenie elementów korpusu szafy przedstawiono na rysunku (rys. 6).

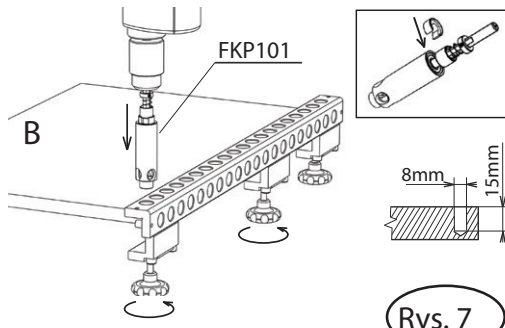
- Przed przystąpieniem do wiercenia należy sprawdzić, jeśli ograniczniki przyrządu przylegają do obrabianego przedmiotu na stykowych powierzchniach.
- **Zawsze umieszczaj przyrząd na obrabianym elemencie od jego przedniej krawędzi, a podczas wiercenia otwór w krawędzi stopki mocujące muszą być zawsze skierowane w odwrotną stronę elementu, nigdy odwrotnie! Zapewni to 0,5 mm fasetkę.**
- Przed rozpoczęciem wiercenia sprawdź głębokość.
- Jeśli wywiercony otwór nie jest czysty, wiertło należy zaostrić.
- Jeśli otwór nie jest wystarczająco głęboki, na uchwycie wiertarskim FKP101 ustaw odpowiednią głębokość wiercenia.

### Wiercenie otworów do powierzchni

Przymocuj metalowy ogranicznik do otworu znajdującego się na krawędzi urządzenia. Umieść FKP na obrabianym elemencie tak, aby skrajny ogranicznik znajdował się na przedniej krawędzi elementu, a powierzchnia szablonu A była zwrócona w kierunku tylnej strony obrabianego elementu (**rys. 7**)



Rys. 6



Rys. 7

Upewnij się, że ogranicznik przylega do przedniej krawędzi płyty, a wewnętrzne powierzchnie szablonu znajduje się bezpośrednio na obrabianym elemencie. Teraz za pomocą stopek mocujących przymocuj FKP. Dokręć śruby dociskowe z odpowiednią siłą, nie używaj zbyt dużej siły. **Na uchwyt wiertarski wsadź pierścień oporowy FKP101-8 (rys. 5)**. Następnie na uchwycie wiertarskim ustaw 15 mm głębokość wiercenia. **USTAWIENIE GŁĘBOKOŚCI WIERCENIA FKP101,102 przedstawiono na 18 stronie.** Teraz włoż uchwyt wiertarski wraz z wiertłem w otwory i rozpocznij wiercenie otworów przeznaczonych pod kołki (rys. 7). Głębsze otwory należy wiercić stopniowo, dzięki czemu możliwe będzie oczyszczenie otworów z powstałych wiórów. Dbaj o właściwy kierunek obrotów - wiertła dostępne są w wersji prawoobrotowej.

### Wiercenie otworów do krawędzi

Przymocuj metalowy ogranicznik do otworu znajdującego się na krawędzi urządzenia. Umieść FKP na obrabianym elemencie tak, aby skrajny ogranicznik znajdował się na przedniej krawędzi elementu, a stołki mocujące były zwrócone w kierunku tylnej strony obrabianego elementu (**rys. 8**)

Upewnij się, że ogranicznik przylega do przedniej krawędzi płyty, a wewnętrzne powierzchnie szablonu znajduje się bezpośrednio na obrabianym elemencie. Teraz za pomocą stopek mocujących przymocuj FKP. Dokręć śruby dociskowe z odpowiednią siłą, nie używaj zbyt dużej siły. **Z uchwytu wiertarskiego FKP 101-108 wymontuj pierścień oporowy.** Dzięki temu zostanie zmieniona głębokość wiercenia na 22 mm (**rys. 8**). Następnie włoż uchwyt wiertarski wraz z wiertłem w otwory i rozpocznij wiercenie otworów przeznaczonych pod kołki (**rys. 8**). Głębsze otwory należy wiercić stopniowo, dzięki czemu możliwe będzie oczyszczenie otworów z powstałych wiórów. Dbaj o właściwy kierunek obrotów - wiertła dostępne są w wersji prawoobrotowej.

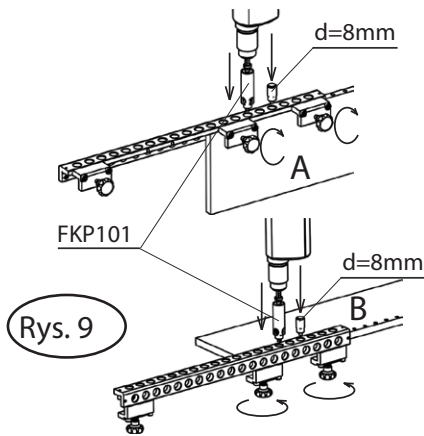
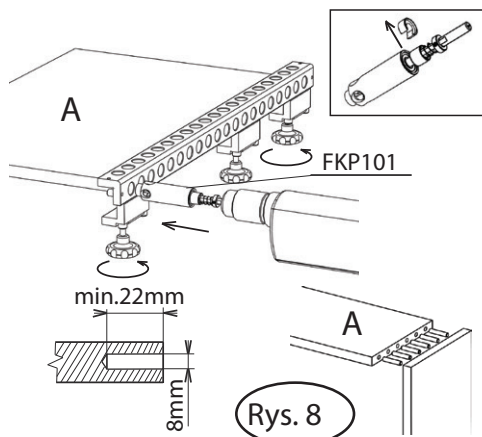
### Wytwarzanie połączenia o długości większej niż długość szablonu przeznaczonego do wiercenia

Proces pracy przedstawiony został na rysunku (**rys. 9**). Po zdjęciu skrajnego ogranicznika przyrząd do wiercenia można przesuwając po całej powierzchni obrabianego przedmiotu. **Kołki centrujące** służą do uchwycenia ostatniego otworu oraz utrzymania 32 mm odstępu. Wraz z produktem dostarczany jest kołek dla otworów o średnicy 8 mm. Procedura jest taka sama jak podczas wiercenia z bocznym ogranicznikiem, pozycja przyrządu zabezpieczona jest za pomocą kołka centrującego.



**OSTRZEŻENIE !!!**

Aby zachować prostopadłą pozycję należy podczas wiercenia dociskać uchwyt wiertarki do szablonu. W celu przytrzymania uchwytu możliwe jest wykorzystanie drugiej ręki. Wiertarka powinna zawsze znajdować się w prostopadłej pozycji, tak aby uchwyt wiertarki całą swoją powierzchnią dotykał całej powierzchni FKP i była zachowana prostopadła pozycja. **Zalecamy otwory wiercić stopniowo i zawsze podczas pracy z wiertarką postępować zgodnie z instrukcjami bezpieczeństwa!**



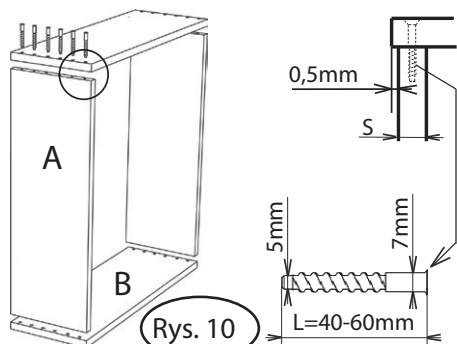
**WYTWARZANIE POŁĄCZEŃ NA KONFIRMATY**

Rozmieszczenie elementów korpusu szafy przedstawiono na rysunku. (rys. 10).

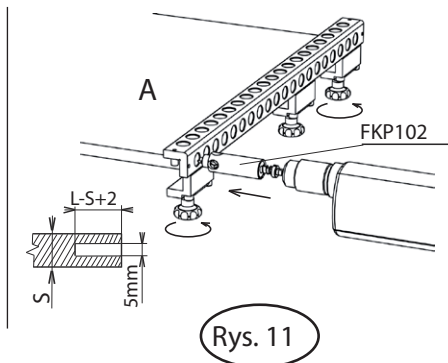
- Przed przystąpieniem do wiercenia należy sprawdzić, jeśli ograniczniki przyrządu przylegają do obrabianego przedmiotu na wewnętrznej części urządzenia.
- **Zawsze umieszczaj przyrząd na obrabianym elemencie od jego przedniej krawędzi, a podczas wiercenia otworów w krawędzi stopki mocujące muszą być zawsze skierowane w odwrotną stronę elementu, nigdy odwrotnie! Zapewni to 0,5 mm fasetkę.**
- Przed rozpoczęciem wiercenia sprawdź głębokość.
- Jeśli wywiercony otwór nie jest czysty, wiertło należy zaostrić.
- Jeśli otwór nie jest wystarczająco głęboki, na uchwycie wiertarskim FKP101 ustaw odpowiednią głębokość wiercenia.

**Wiercenie otworów do krawędzi**

W pierwszej kolejności należy obliczyć głębokość otworu, który będzie wiercony w krawędzi. Głębokość obliczamy w następujący sposób: od całkowitej długości konfirmatu należy odjąć grubość łączonego materiału uwzględniając 2 mm rezerwę (przykład: konfirmat 60mm - 18mm laminat - 2mm rezerwa = 40mm głębokość wiercenia). Następnie zastosuj uchwyt wiertarski **FKP102** wraz z wiertłem do otworów nieprzelotowych o **średnicy 5 mm i 40 mm długości roboczej**. Zakres głębokości wiercenia wynosi 37-45 mm, a ustawienie głębokości jest opisane w rozdziale o wytwarzaniu połączeń kołkowych. Przymocuj metalowy ogranicznik do otworu znajdującego się na krawędzi urządzenia. Umieść FKP na obrabianym elemencie tak, aby skrajny ogranicznik znajdował się na przedniej krawędzi elementu, a stopki mocujące były zwrócone w kierunku tylnej strony obrabianego elementu (rys.11). Podczas ustawiania głębokości wiercenia pod konfirmaty nie wolno używać pierścienia oporowego **FKP101-8!**



Rys. 10



Rys. 11

Upewnij się, że ogranicznik przylega do przedniej krawędzi płyty, a wewnętrzne powierzchnie szablonu znajdują się bezpośrednio na obrabianym elemencie. Teraz za pomocą stopek mocujących przymocuj FKP. Dokręć śruby dociskowe z odpowiednią siłą, nie używaj zbyt dużej siły. Na uchwycie wiertarskim ustaw głębokość wiercenia. Następnie włóż uchwyt wiertarski wraz z odpowiednim wiertłem w otwory i rozpocznij wiercenie otworów przeznaczonych pod konfirmaty (rys. 11). Dbaj o właściwy kierunek obrotów - wiertła dostępne są w wersji prawoobrotowej.

### Wiercenie otworów do krawędzi

**Zastosuj uchwyt wiertarski FKP101 wraz z wiertłem przeznaczonym do otworów przelotowymi o średnicy 7 mm!**

Przymocuj metalowy ogranicznik do otworu znajdującego się na krawędzi urządzenia. Umieść FKP na obrabianym elemencie tak, aby skrajny ogranicznik znajdował się na przedniej krawędzi elementu, a powierzchnia szablonu A była zwrócone w kierunku tylnej strony obrabianego elementu (rys.12).

Upewnij się, że ogranicznik przylega do przedniej krawędzi płyty, a wewnętrzne powierzchnie szablonu znajdują się bezpośrednio na obrabianym elemencie. Teraz za pomocą stopek mocujących przymocuj FKP. Na uchwycie wiertarskim ustaw maksymalną głębokość wiercenia. Następnie włóż uchwyt wiertarski wraz z odpowiednim wiertłem w otwory i rozpocznij wiercenie otworów przeznaczonych pod konfirmaty (rys. 12). Głębsze otwory należy wiercić stopniowo, dzięki czemu możliwe będzie oczyszczenie otworów z powstałych wiórów. Dbaj o właściwy kierunek obrotów - wiertła dostępne są w wersji prawoobrotowej. Otwór musi przechodzić przez materiał.

### Wytwarzanie połączenia o długości większej niż długość szablonu przeznaczonego do wiercenia

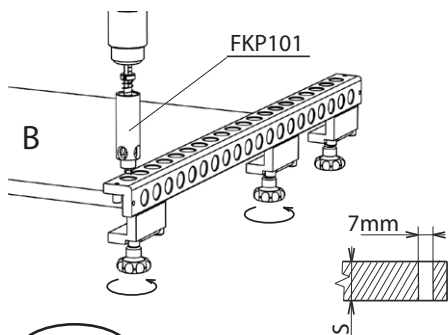
Proces pracy przedstawiony został na rysunku (rys. 13). Po zdjęciu skrajnego ogranicznika przyrząd do wiercenia można przesuwając po całej krawędzi obrabianego przedmiotu. Kołki centrujące służą do uchwycenia ostatniego otworu oraz utrzymania 32 mm odstępu. Wraz z uchwycem wiertarskim FKP102 dostarczane są również kołki centrujące. Kołek centrujący o średnicy 5 mm służy do zabezpieczenia pozycji podczas wiercenia do krawędzi natomiast kołek centrujący o średnicy 7 mm służy do wiercenia w powierzchni. Procedura jest taka sama jak podczas wiercenia z bocznym ogranicznikiem, gdzie pozycja urządzenia zabezpieczona jest za pomocą kołka centrującego.

**Możliwe jest jednoczesne łączenie elementów w jednym połączeniu za pomocą kołków jak i konfirmatów !!!**

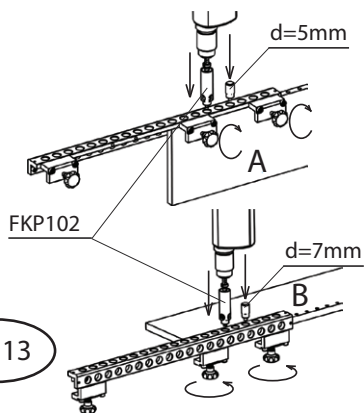
### OSTRZEŻENIE !!!

Aby zachować prostopadłą pozycję należy podczas wiercenia dociskać uchwyt wiertarski do szablonu. W celu

przytrzymania uchwytu możliwe jest wykorzystanie drugiej ręki. Wiertarka powinna zawsze znajdować się w prostopadłej pozycji, tak aby uchwyt wiertarki całą swoją powierzchnią dotykał całej powierzchni **FKP** oraz aby była zachowana prostopadła pozycja. **Zalecamy otwory wiercić stopniowo i zawsze podczas pracy z wiertarką postępować zgodnie z instrukcjami bezpieczeństwa!**



Rys. 12



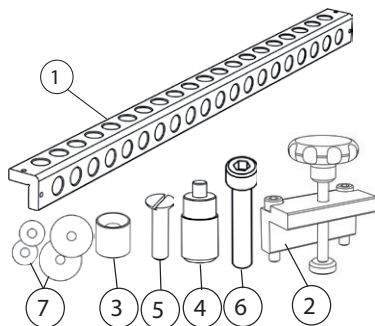
Rys. 13

### BEZPIECZEŃSTWO

- Podczas wymiany wiertła lub podczas ustawiania głębokości zawsze należy wyłączyć wiertarkę i odłączyć ją od źródła zasilania.
- Podczas wiercenia nie wolno dotykać obracających się części.
- Używaj ochraniaczy słuchu.
- Zawsze używaj maski przeciwpyłowej lub respiratora.
- Nie noś luźnej odzieży. Upewnij się, że masz wywiniete rękawy, nie wolno pracować w krawacie.
- Przed włączeniem wiertarki upewnij się, że wiertło jest prawidłowo zamocowane, a pierścień oporowy został odpowiednio zabezpieczony.
- Zapobiegaj przypadkowemu włączeniu wiertarki. Przed włożeniem wtyczki do gniazdka i przed podłączeniem jej do źródła zasilania upewnij się, że przełącznik nie znajduje się w pozycji „włączony”.
- Zanim przystąpisz do wykonywania jakiegokolwiek regulacji lub wymiany urządzenia, zaczekaj, aż wiertarka całkowicie się zatrzyma

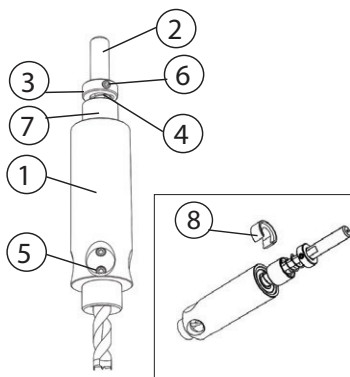
## FKP400-656

Lista części zamiennych v.2 a 3			
Uwaga#	Opis	ilość	Kod do zamówienia
1	Korpus FKP400	1	
	Korpus FKP656	1	
2	Stopka dociskowa kompletna	2-4	FKP200
3	Boczny ogranicznik D10x10	2	FD3001-03
4	Kołek centrujący D8	1	FKP9-18
5	Śruba M4x16	2	FS200-154
6	Śruba M8x45	4-6	FS200-155
7	Podkładka d6/18 a d6/30 FKP656	2; 2	



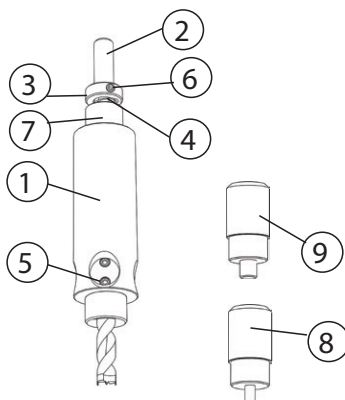
## FKP101

Lista części zamiennych v.2			
Uwaga#	Opis	ilość	Kod do zamówienia
1	Korpus FKP101 z łożyskami	1	
2	Walek FKP101	1	
3	Pierścień oporowy	1	FKP101-3
4	Sprężyna	1	FKP101-5
5	Śruba M4x4 (mały wkręt ustalający)	2	FS200 153
6	Śruba M4x5 (mały wkręt ustalający)	1	FS200 115
7	Ogranicznik sprężyny FKP101	1	FKP101-7
8	Pierścień do FKP	1	FKP101-8
9	Klucz imbusowy 2	1	FS800 002



## FKP102

Lista części zamiennych v.2			
Uwaga#	Opis	ilość	Kod do zamówienia
1	Korpus FKP102 z łożyskami	1	
2	Walek FKP102	1	
3	Pierścień oporowy	1	FKP101-3
4	Sprężyna	1	FKP101-5
5	Śruba M4x4 (mały wkręt ustalający)	2	FS200 153
6	Śruba M4x5 (mały wkręt ustalający)	1	FS200 115
7	Ogranicznik sprężyny FKP101	1	FKP101-7
8	Kołek centrujący d5- czarny	1	AKP9-15
9	Kołek centrujący d7- czarny	1	AKP9-17
10	Klucz imbusowy 2	1	FS800 002











IGM nástroje a stroje s.r.o., V Kněžívce 201,  
Tuchoměřice, 252 67, Czech Republic, E.U.  
**+420 220 950 910, [www.igm.cz](http://www.igm.cz)**